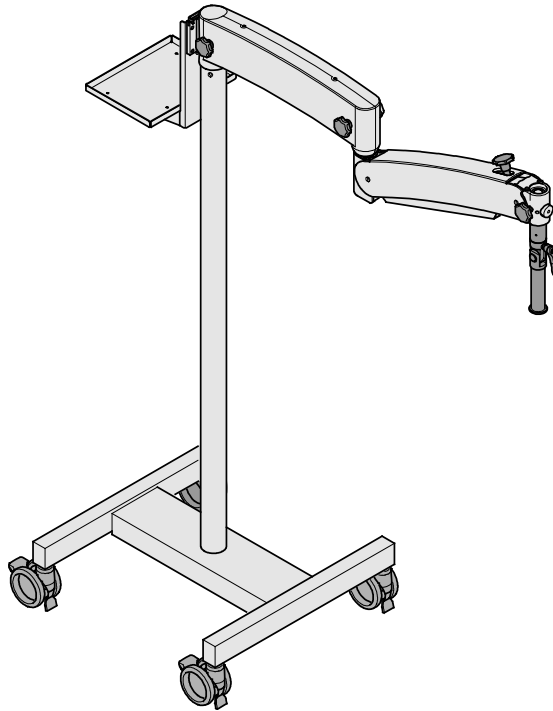


Floor Stand S Bodenstativ S



Operating manual
Gebrauchsanweisung



Knowledge of this manual is required for the operation of the instrument. Would you therefore please make yourself familiar with the contents of this manual and pay special attention to hints concerning safe operation of the instrument. The specifications are subject to change; the manual is not covered by an update service. Unless expressly authorized, forwarding and duplication of this document, as well as utilization and communication of its contents are not permitted. Violations will entail an obligation to pay compensation. All rights reserved in the event of granting of patents or registration of a utility model.

Die Kenntnis dieser Anleitung ist für die Bedienung des Gerätes erforderlich. Bitte machen Sie sich deshalb mit dem Inhalt vertraut und befolgen Sie besonders Hinweise, die den sicheren Umgang mit dem Gerät betreffen. Änderungen im Interesse der technischen Weiterentwicklung bleiben vorbehalten; das Handbuch unterliegt nicht dem Änderungsdienst. Weitergabe sowie Vervielfältigung dieser Unterlage, Verwertung und Mitteilung ihres Inhalts sind nicht gestattet, soweit nicht ausdrücklich zugestanden. Zuwiderhandlungen verpflichten zu Schadenersatz. Alle Rechte für den Fall der Patenterteilung oder Gebrauchsmuster-Eintragung vorbehalten.

Issued by: Carl Zeiss Microscopy GmbH
Carl-Zeiss-Promenade 10
07745 Jena, Germany
microscopy@zeiss.com
www.zeiss.com/microscopy



Carl Zeiss Microscopy GmbH
Königsallee 9-21
37081 Göttingen, Germany

Number of this manual: 435413-7144-010
Date of issue: Version 4, 31/01/2017

CONTENTS

	Page
1 INTRODUCTION	2
1.1 General information.....	2
1.2 Notes on instrument safety	3
1.3 Warranty information	3
1.4 Warning and information labels on the system	4
2 DESCRIPTION	6
2.1 Description and key features	6
2.2 Intended use.....	6
2.3 Description of Floor Stand S	6
2.4 System overview	7
2.5 Controls and connections on Floor Stand S.....	8
2.6 Technical data	10
2.7 Ambient conditions.....	11
3 FIRST-TIME SET-UP	12
3.1 Installing Stemi carrier and microscope body.....	13
3.2 Installing the cold light source	13
4 OPERATION	14
4.1 Adjusting weight balance of the suspension arm	14
4.2 Setting the illumination	16
4.3 Adjusting the Floor Stand S	16
4.4 Vertical adjustment on the articulated suspension arm	16
4.5 Longitudinal adjustment via swivel joints	17
4.6 Tilting on the tilting head	17
4.7 Rotating the tilting head	17
4.8 Focusing drive on the Stemi mount	18
4.9 Application examples	18
4.9.1 Vertical viewing position	18
4.9.2 Oblique viewing position.....	19
4.9.3 Horizontal viewing position	19
5 RELOCATION AND TRANSPORT	20
5.1 Short-distance relocation	20
5.2 Transporting over long distances	21
6 CARE, MAINTENANCE AND SERVICE	22
6.1 Care	22
6.2 Maintenance	23
6.3 Service.....	23
7 DISPOSAL OF THE PRODUCT	24

1 INTRODUCTION

1.1 General information



Floor Stand S is an accessory for the Stemi 305 or Stemi 508 stereo microscopes. It can also be used with SteREO Discovery configurations whose weight does not exceed the working load of the Stemi mount (5 kg).

This manual covers installation and operation of Floor Stand S.

For the first-time set-up of the stereo microscopes, observe the separate operating manuals for Stemi 305, Stemi 508 or Stemi SteREO Discovery and the operating manuals for the external cold light sources.

The following warning and information symbols are used in this operating manual:



CAUTION

This symbol indicates a potential hazard to the user.



CAUTION

Risk of pinching!



CAUTION

Do not exceed maximum load.



ATTENTION

This symbol indicates a potential hazard to the instrument or system.



ATTENTION

Read the operating manual.



NOTE

This symbol designates information that should be closely followed.

1.2 Notes on instrument safety



Floor Stand S for stereo microscopes, including original accessories, may only be used for the applications described in this operating manual. The manufacturer cannot assume any liability for other uses of the instrument, including those of individual modules or single parts. This also applies to any service or repair work that is not carried out by authorized service personnel. Failure to comply with this shall render all warranty claims invalid.



The safety instructions in the operating manuals of all components used with the Floor Stand S, such as the microscope body, illumination equipment etc., must be observed.



There is a risk of pinching fingers between the points marked with the sign "Risk of pinching". Do not touch these points while Floor Stand S or its parts are being moved.



Installation, modifications and repairs of Floor Stand S are to be carried out by ZEISS Service or other qualified personnel, specifically authorized by ZEISS only.



During installation of microscope components and accessories take care that the maximum lifting capacity at the suspension arm of Floor Stand S is not exceeded (see warning "Maximum load"). Otherwise, there is a risk of personal injury or property damage, since the suspension arm may move downward unintentional.

The weight of tilting head and Stemi mount must be taken into account!



To move the Floor Stand S to another place, observe Section *Relocation and transport* on page 20. After moving, always secure the stand base using its wheel stops! Otherwise, Floor Stand S may roll away and lead to personal injury or damage to property.

1.3 Warranty information

The manufacturer guarantees that the instrument is free of material or manufacturing defects upon delivery. Any defects must be reported immediately and steps taken to minimize damage. If such a defect is reported, the instrument manufacturer shall be obliged to correct the fault, either by repairing the instrument or replacing it with a new one, at the manufacturer's discretion. No warranty is given for defects caused by natural wear and tear (particularly of wearing parts) and improper use of the instrument.

The instrument manufacturer shall not be liable for damage caused by misuse, negligence or any other tampering with the instrument, particularly the removal or replacement of instrument components, or the use of accessories from other manufacturers. Such actions will render any warranty claims invalid.

With the exception of the work described in this manual, no maintenance or repair work is to be carried out on these microscopes. Repairs may only be performed by ZEISS Service or individuals specifically authorized by ZEISS Service. In the event of a problem with the instrument, please contact ZEISS service or your local ZEISS overseas representative.

1.4 Warning and information labels on the system

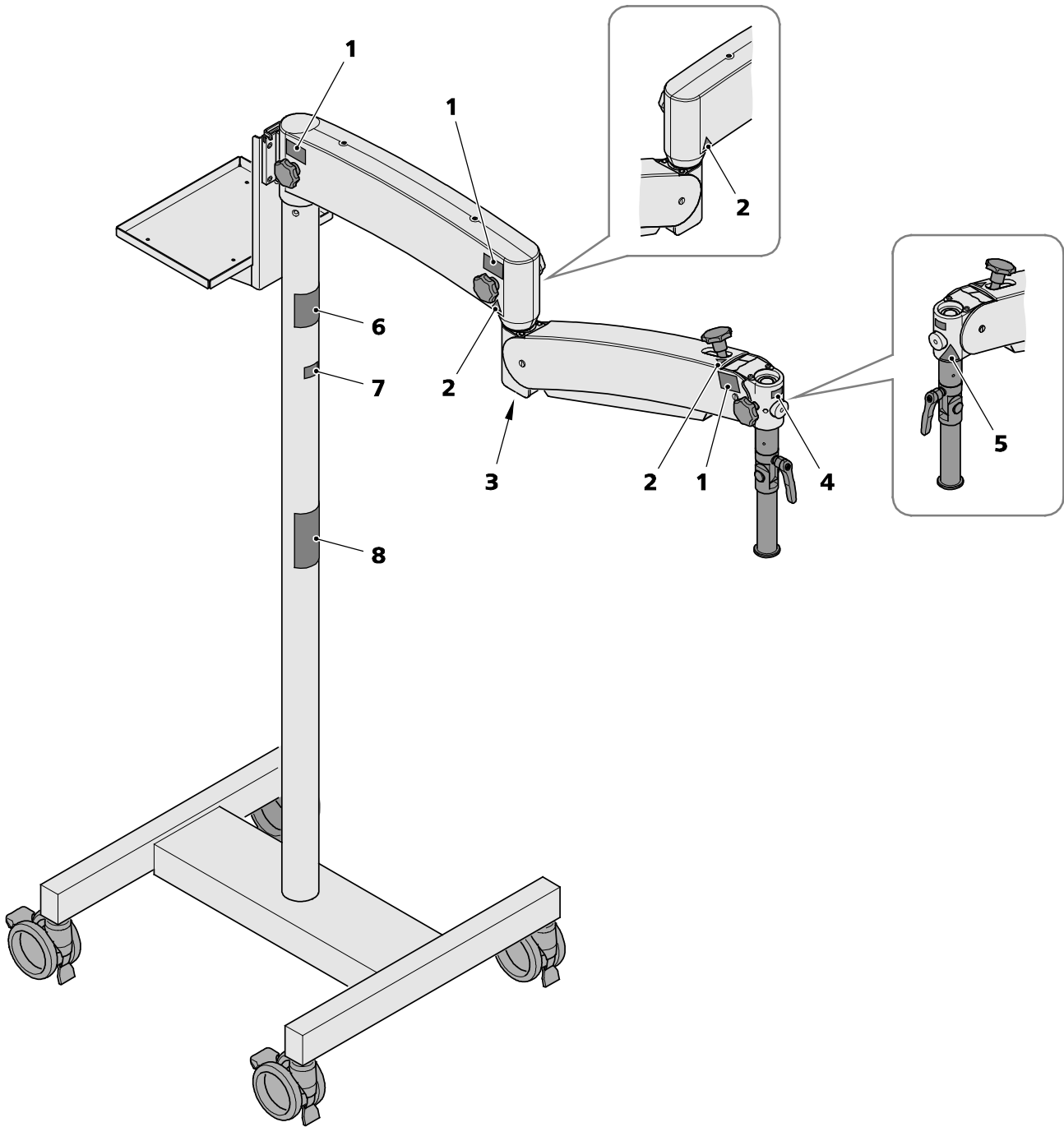
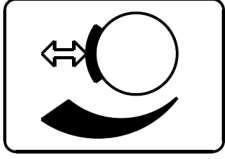

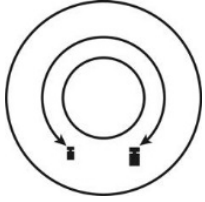

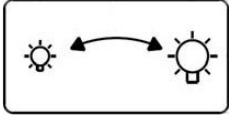
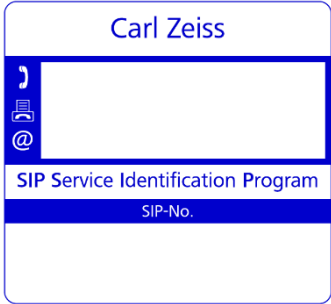

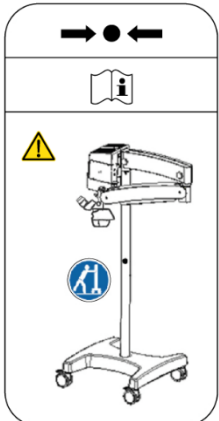


Fig. 1 Warning and information labels

Item	Label	Explanation
1		<p>Friction information</p> <p>Explanation of brake effect achieved by rotating the friction adjustment knob.</p> <p>Turning to the left: Reduces braking action Turning to the right: Increases braking action</p>
2		<p>Warning label "Danger of pinching"</p> <p>Fingers may be pinched. Do not touch this area while the floor stand or its parts are being moved.</p>
3		<p>Weight balancing on suspension arm</p> <p>After installing the stereo microscope with all its accessories, the setting screw for weight balancing of the suspension arm can be adjusted.</p> <p>Turning to the left: Reduces weight Turning to the right: Increases weight</p>
4		<p>Warning label "Maximum load"</p> <p>A maximum of 7 kg should be applied to the suspension arm.</p>
5		<p>Brightness adjustment (Not active!)</p>
6		<p>Service information</p>
7		<p>Year of manufacture</p>
8		<p>Information label "Transport position"</p> <p>During transport, the stand may only be held and shifted at this point. Observe the operating manual and accompanying documents.</p> <p>Shows the transport position for the device. Always bring the device to this position before transporting in order to avoid damage to the device.</p>

2 DESCRIPTION

2.1 Description and key features

Manufacturer's designation: **Floor Stand S**



The devices may only be used for the applications and purposes described in this operating manual. See also Section *Notes on instrument safety* on page 3.



2.2 Intended use

Together with a ZEISS stereo microscope (e.g. Stemi 508), Floor Stand S is intended to be used for enlarged, spatial observation and manipulation of large specimen in bio laboratories. It is also made for observation, diagnosis and surgery in veterinary medicine.

In industrial production and quality control, Floor stand S with ZEISS stereo microscopes is intended to be used for inspection, assembly or repair of large industrial workpieces and products. It is also ideally suited for restoration work!

Floor Stand S is not approved as a medicine product! Any use on patients is expressly excluded!

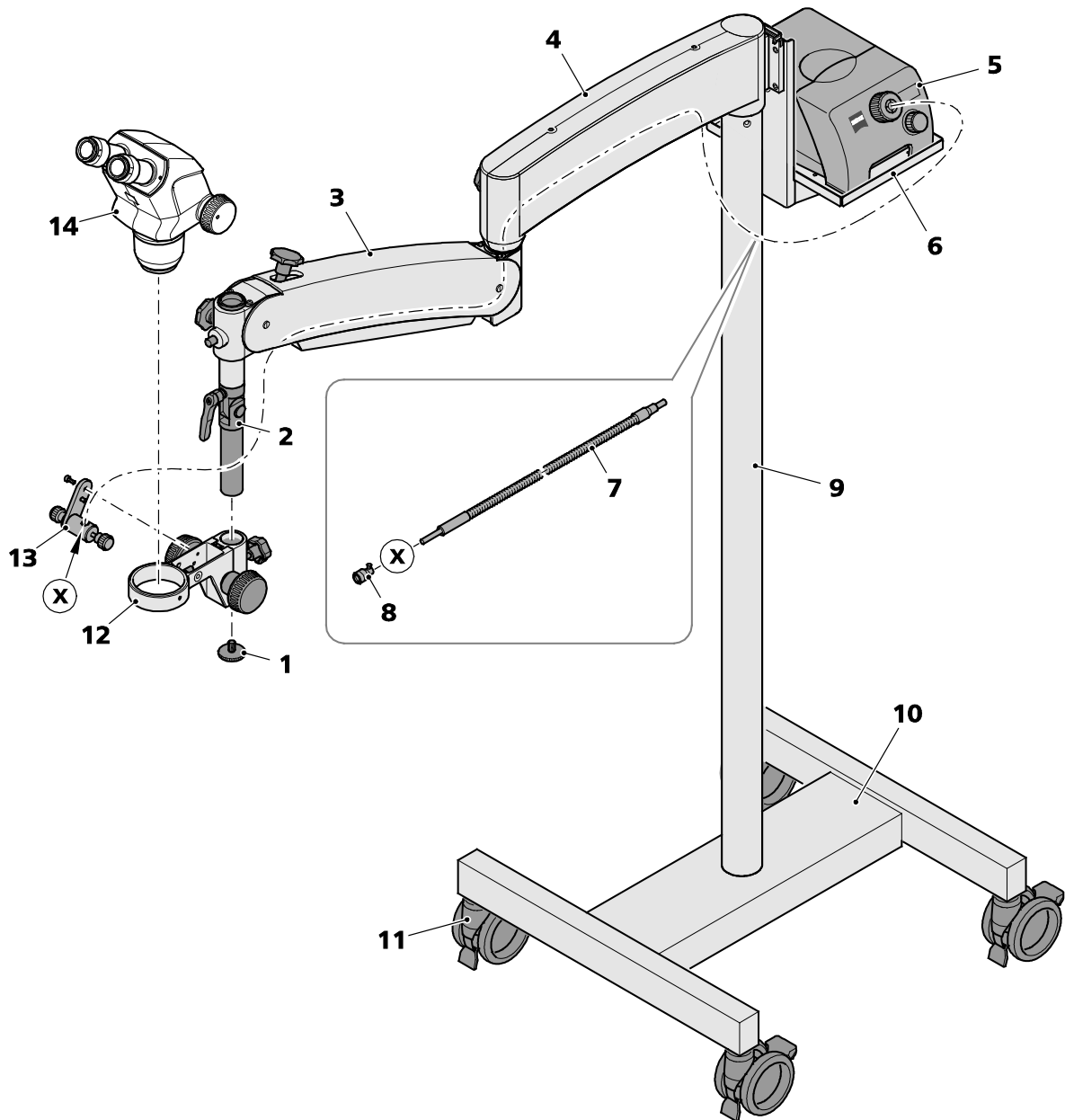
2.3 Description of Floor Stand S

Floor Stand S is a large, mobile stand for stereo microscopes consisting of stand base and stand column, the extension arm consisting of traverse, articulated suspension arm and tilting head - and a console for a cold light source. To get a complete microscope system, a ZEISS stereo microscope, Stemi mount with focus drive and a fiberoptic light source with light guide have to be added separately.

Using the traverse, articulated suspension arm and tilting head, the stereo microscope can be freely positioned for working. The focus drive on the Stemi mount enables precise focusing.

Four freely movable wheels at the stand base facilitate the positioning of the system. Wheel stops prevent the system from rolling away and unintentional movements.

2.4 System overview



- | | | | |
|---|--|----|---|
| 1 | End piece of tilting head | 8 | Focusing attachment |
| 2 | Tilting head | 9 | Stand column |
| 3 | Articulated suspension arm | 10 | Stand base |
| 4 | Traverse | 11 | Steerable wheels with brakes |
| 5 | Cold light source, e.g. CL 6000 LED | 12 | Stemi mount with drive for column 32 |
| 6 | Console for cold light source | 13 | Optical fiber holder (light guide holder) |
| 7 | Flexible optic fiber (light guide) 1500, 5/2200 mm | 14 | Microscope body Stemi 508 |
| X | Mechanical interface for fiber optics | | |

Fig. 2 System overview Floor Stand S

2.5 Controls and connections on Floor Stand S

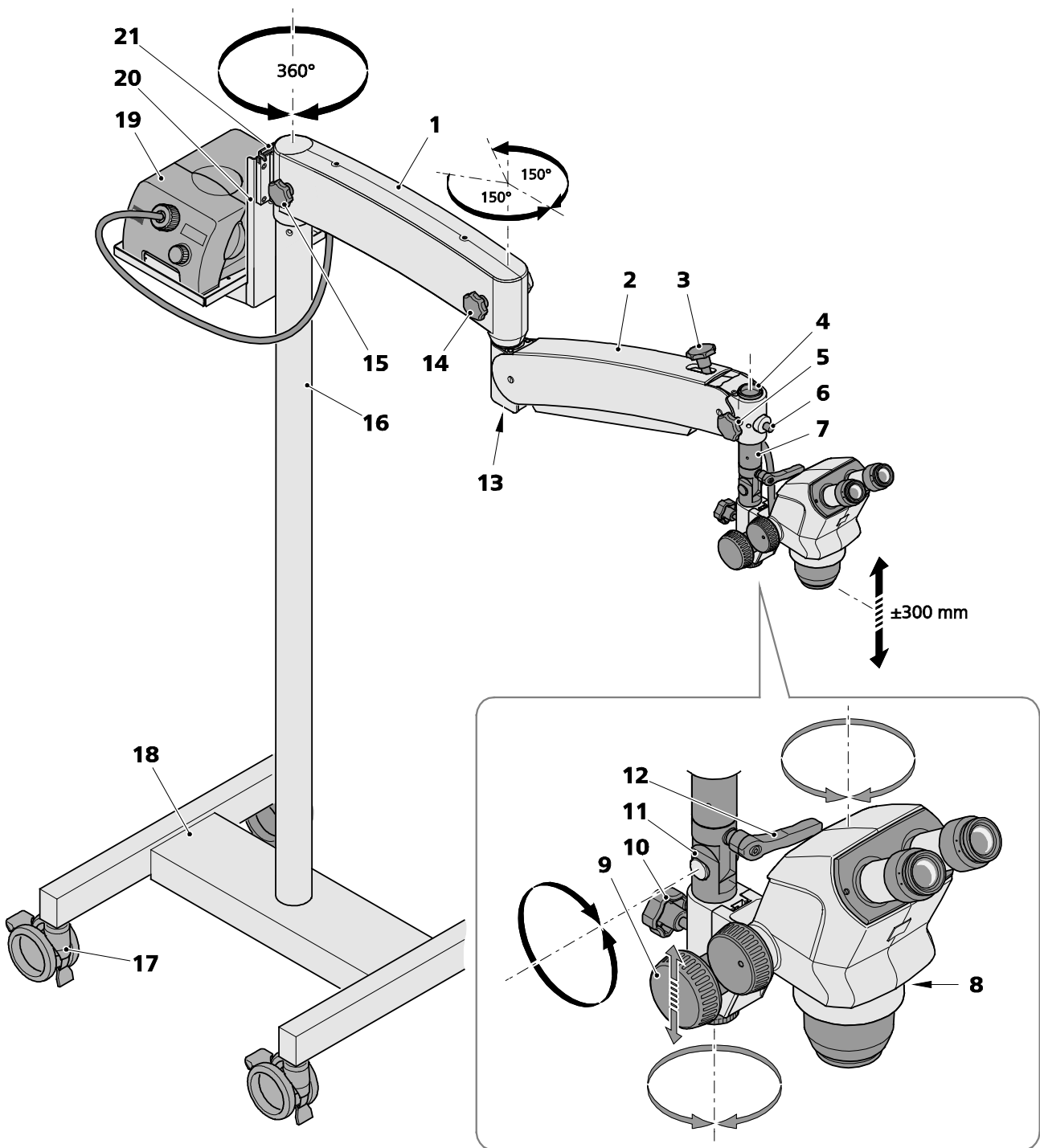


Fig. 3 Controls and functional elements on Floor Stand S and microscope system

Item	Designation	Intended use / Description
1	Traverse	Boom length 500 mm
2	Articulated suspension arm	Boom length 600 mm
3	Torque adjusting screw	Adjusting the torque for the stroke movement of the articulated suspension arm (after successful weight balancing of the microscope equipment)
4	Cover of the tilting head mount	
5	Torque adjusting screw	Adjusting the torque of the coupling pin
6	Rotary knob	Without function
7	Tilting head	
8	Clamping screw on the Stemi mount for microscope body	Fixation of microscope body on Stemi mount
9	Focusing drive on Stemi mount	Focusing on the object, adjustable torque (see Section 4.8)
10	Star knob on Stemi mount	Fixation of Stemi mount on tilting head
11	Joint of tilting head	Inclination of the microscope
12	Tilting clamping lever	Adjusting and fixing the position of the tilting head
13	Adjusting screw for weight balancing	Adjusting the balance
14	Torque adjusting screw	Adjusting the torque of the articulated suspension arm
15	Torque adjusting screw	Adjusting the torque of the traverse
16	Stand column	
17	Steerable wheels with brakes	To lock the stand (press once to lock; release by pulling upwards with your toe).
18	Stand base	
19	Cold light source	Illuminator for microscope, operating elements and connections see separate operating manual
20	Console for light sources	Mount for cold light source
21	Adapter plate	Mount for console for cold light sources

2.6 Technical data

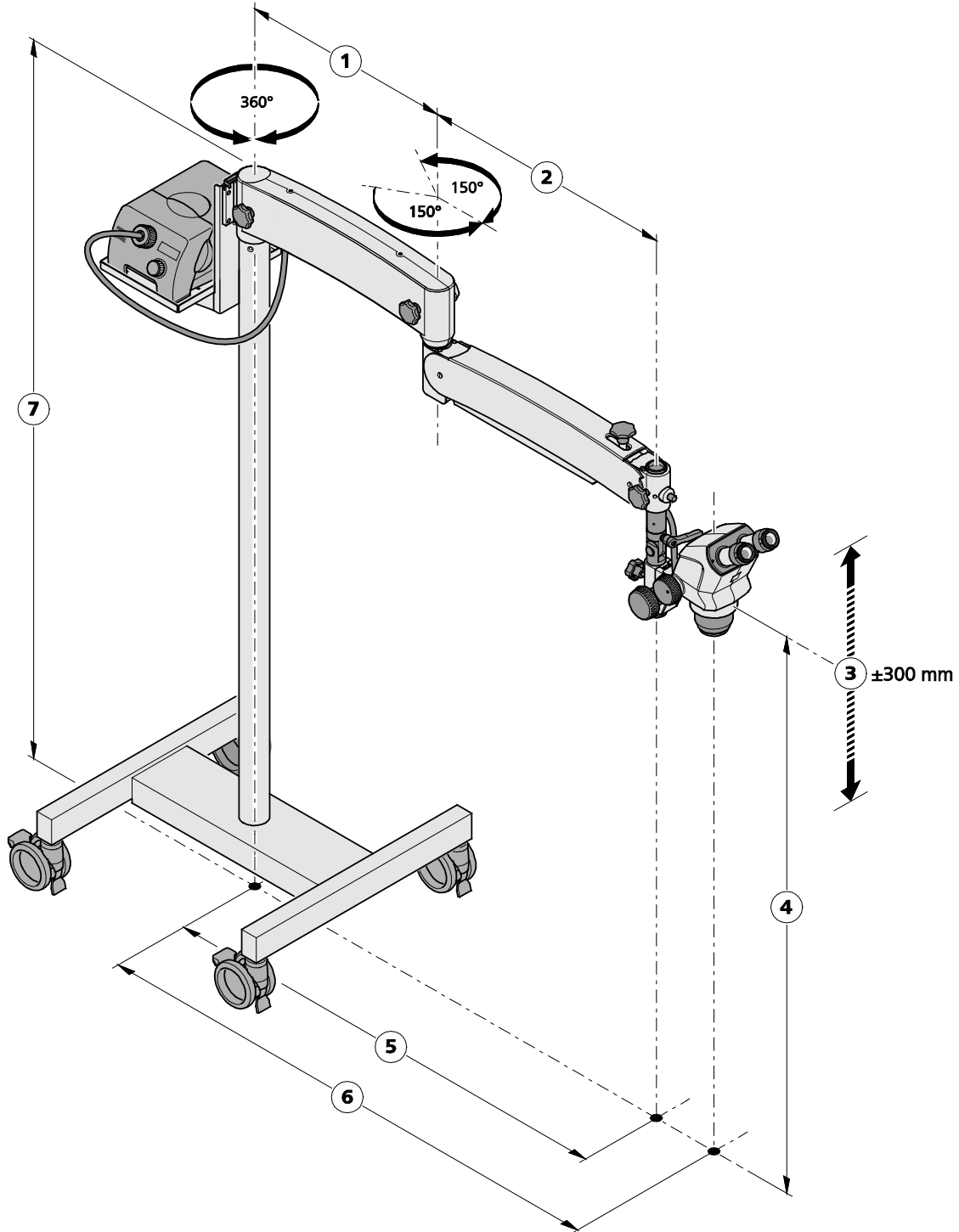


Fig. 4 Dimensions and rotary axes for Floor Stand S

Item No.	Dimensions / Workspace	Remarks
1	500 mm	Traverse boom length
2	600 mm	Articulated suspension arm boom length
3	approx. ±300 mm	Vertical adjustment of the articulated suspension arm
4	approx. 1000 mm to 1650 mm	Stemi mount height (microscope support) over floor
5	up to 1100 mm	Distance of stand column to tilting head axis
6	up to 1255 mm	Distance of stand column to optical axis of the microscope body
7	approx. 1730 mm	Height of stand column (above ground)

Further technical data:

Max. height of Floor Stand S (articulated suspension arm in top position) approx. 1880 mm
 Height of eyepiece with Stemi 508 approx. 1170 mm to 1810 mm
 (facilitates working in standing or sitting position)
 Rotating angle of articulated suspension around swivel arm ±150°
 Rotating angle of traverse around stand column 360°
 Dimensions of stand base (length x width) 625 mm x 625 mm
 Weight (including microscope) approx. 90 kg

2.7 Ambient conditions

Transport and storage

Temperature -40°C to +70°C
 Relative humidity (non-condensing) 10% to 90%
 Atmospheric pressure 500 hPa to 1060 hPa

Operation

Temperature +10°C to +40°C
 Relative humidity 30% to 75%

3 FIRST-TIME SET-UP

Floor Stand S (if ordered, including built-in optic fiber/light guide) will be installed and set up by ZEISS Service or a specialist named by ZEISS.

If available, the microscope, Stemi mount column 32 and cold light source will also be installed and connected. These may also be subsequently mounted by the customer (see below).

The following operational requirements must be met before using the device each time:

- The connection parts are properly seated.
- The screws are securely tightened.



During installation of microscope components and accessories take care that the maximum lifting capacity at the suspension arm of Floor Stand S is not exceeded (see warning "Maximum load"). Otherwise, there is a risk of personal injury or property damage, since the suspension arm may move downward unintentional.

The weight of tilting head and Stemi mount must be taken into account!




There is a risk of pinching fingers between the points marked with the sign "Risk of pinching". Do not touch these points while Floor Stand S or it's parts are being moved.




To move the Floor Stand S to another place, observe Section *Relocation and transport* on page 20. Secure the stand base using it's wheel stops! Otherwise, Floor Stand S may roll away and lead to personal injury or damage to property.

3.1 Installing Stemi carrier and microscope body

- Loosen the clamping lever (Fig. 5/1) on the tilting head Fig. 5/2).
- Align the tilting head (Fig. 5/2) vertically or set in desired angular position, then re-tighten the clamping lever.

 The angular position of the clamping lever (Fig. 5/1) can be set to a position that is convenient for the clamping procedure. To this end, pull the lever until it comes out of the click stop and turn it into the desired angular position. After releasing the lever, it will automatically snap in again by a spring mechanism.

- Unscrew the end piece (Fig. 5/5) from the tilting head (Fig. 5/2).
- Slip the Stemi mount (Fig. 5/4) from the bottom over the tilting head and secure it in the desired position by means of the star knob (Fig. 5/3).
- Screw the end piece back into tilting head.
- Screw the light guide holder (for optic fiber) (Fig. 5/7) with 3 mm Allen screw (Fig. 5/8) onto the Stemi mount.
- Push the optic fiber end (Fig. 5/10) into the hole on the light guide holder (Fig. 5/7) and clamp it on the metal sleeve (10 mm diameter) using the head screw. Please note: do not clamp onto the flexible hose.
- Pull the focusing optics (Fig. 5/11) up to the stop on the optic fiber and screw it in.
- Insert the microscope body, e.g. Stemi 508 (Fig. 5/9), into the mounting hole of the Stemi carrier and fix using the clamping screw (Fig. 5/6).
- If present, screw front optics in the microscope body.

 If the focusing drive of the Stemi mount drops unintentionally, the torque of the focusing drive must be adjusted to the weight of the microscope. To do this, rotate the left and right focus drive in opposite directions.

3.2 Installing the cold light source

- Position the fiberoptic light source on the console for cold light sources as shown in Fig. 6.
- To adapt light guide and power cord to the light source, as well as for switch-on and operation, please observe the separate user manual of the cold light source.

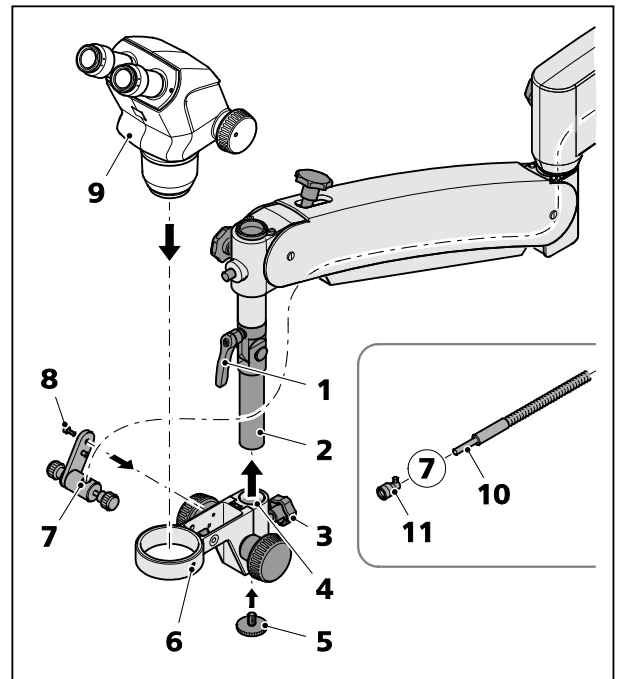


Fig. 5 Installing Stemi carrier and microscope body

4 OPERATION

4.1 Adjusting weight balance of the suspension arm

- Check the Floor Stand S for damage before each use. If it is damaged, it must first be repaired.
- Prior to each application, perform a weight balance of the articulated suspension arm, until the stereo microscope keeps its set height in all positions of the articulating arm.



The stereo microscope must not lift up or sink down by itself.



There is a risk of pinching fingers between the points marked with the sign "Risk of pinching". Do not touch these points while Floor Stand S or its parts are being moved.

Perform the weight balancing only after the entire microscope setup has been installed. A maximum weight of 7 kg may be applied to the articulated suspension arm. The weight of tilting head and Stemi mount must be taken into account!

- Loosen the brake screw (Fig. 6/1) of the articulated suspension arm.
- Insert an 8 mm Allen key into the opening of the joint cover (Fig. 6/2).
- Use the Allen key to turn the setting screw for weight balancing (Fig. 6/3) until the equipment is balanced.
- Check the weight compensation in several height positions of the articulating arm.
- Tighten the brake screw step by step until the desired torque of the stroke movement of the suspension arm is reached.

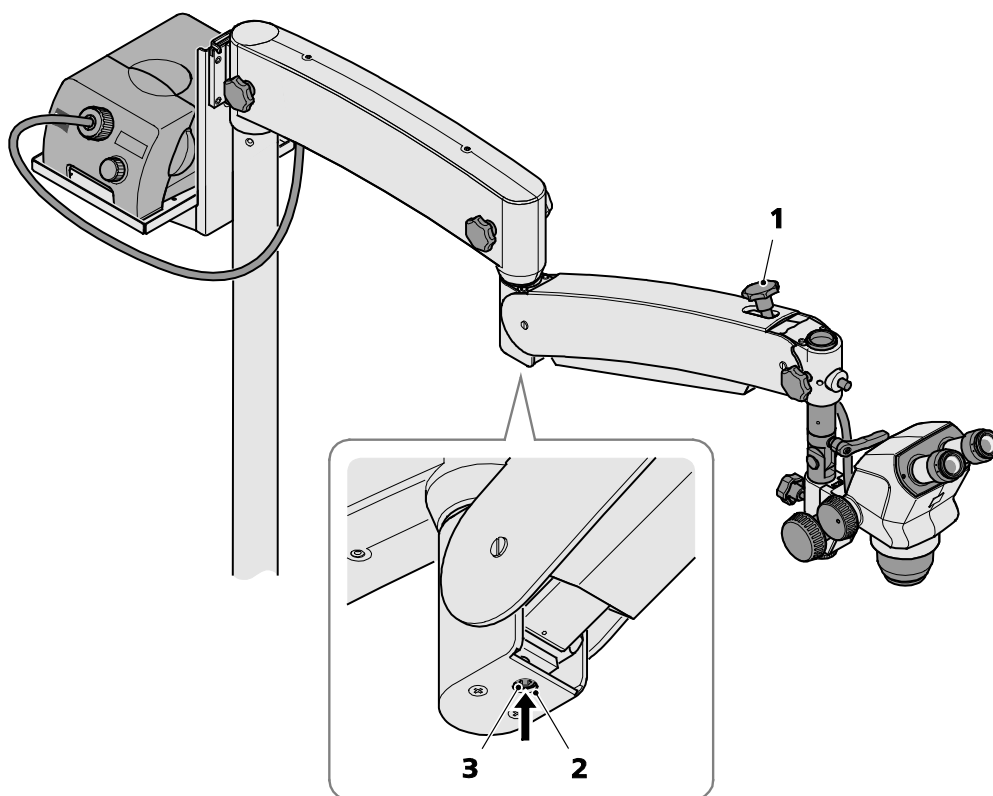


Fig. 6 Adjusting weight balancing on the articulated suspension arm



For mounting the light guide and the power cable as well as for the first-time set-up and the operation of the cold light source, observe the separate operating manual for the light source.

4.2 Setting the illumination

- To switch-on and operate the cold light source, observe the separate user manual of the light source.
- Switch off the light source, when not in use.

To illuminate an object proceed as follows:

- Set a medium brightness level and adjust the stereo microscope to the object (considering Sections 4.3 to 4.8).
- Adjust the light spot emitted by the light guide to the object.
- Set minimum zoom position and correctly focus the object (using the focus knob) while observing it through the eyepieces.
- Increase zoom magnification as demanded. Eventually refocus the object.
- Adjust brightness of the cold light source (while observing the object through the eyepieces) until demanded brightness level is reached.

4.3 Adjusting the Floor Stand S



Parts of the stand are located at head height, with a corresponding risk of injury. Put the device in the transport position immediately after use (see Fig. 7) and observe sufficient headroom.

Floor Stand S allows to variably adjust the used stereo microscope to large-size or voluminous objects.

The following adjustments are possible:

- Vertical adjustment on articulated suspension arm, see Section 4.4
- Longitudinal adjustment on the swivel joints, see Section 4.5
- Tilting at the tilting head, see Section 4.6
- Rotation of the Stemi mount, see Section 4.7

4.4 Vertical adjustment on the articulated suspension arm

- Swivel the articulated suspension arm (Fig. 3/2) upwards or downwards to vary the vertical position of the microscopy system.

The adjustment range is ± 300 mm. Vertical adjustment also changes the longitudinal adjustment.

4.5 Longitudinal adjustment via swivel joints



The microscope system cannot be fully rotated around the stand column due to the installed optical fiber.

When turning, ensure that the optical fiber does not become damaged.

- Swivel the microscope system around the swivel joints of the stand column/traverse (Fig. 3/16 / Fig. 3/1) or traverse/articulated suspension arm (Fig. 3/1 / Fig. 3/2) to vary the longitudinal and radial adjustment.

The swivel joint of the stand column / traverse can be swiveled by 360° (full rotation is not possible, see above) and that of the traverse/articulated suspension arm can be swiveled by $\pm 150^\circ$.

4.6 Tilting on the tilting head



ATTENTION

Before tilting, check how far the tilting head can be inclined without the microscope colliding with the structure or the object to be examined.

- Loosen the clamping lever (Fig. 3/12) on the tilting head (Fig. 3/7).
- Incline the tilting head with Stemi mount and microscope into the desired position.
- Retighten the clamping lever and, if necessary, adjust the angle position of the clamping lever to a convenient position (see Section 3.1).

4.7 Rotating the tilting head



ATTENTION

Before rotating the tilting head, make sure that the cover of the tilting head mount (Fig. 3/4) is screwed on and check how far it can be rotated without the microscope colliding with the structure.

- Loosen the star knob (Fig. 3/5) on the articulating arm.
- Rotate the tilting head with Stemi mount and microscope into the desired position.
- Retighten the star knob.



If necessary, the "Stemi mount on the tilting head" or the "microscope body in the Stemi mount" can also be rotated, e.g. when setting a horizontal viewing position, see Section 4.9.3. Prior to rotating the Stemi mount or the microscope body, loosen the corresponding clamping screws (Fig. 3/8) resp. (Fig. 3/10).

4.8 Focusing drive on the Stemi mount

- Turn the focusing drive on the Stemi mount (Fig. 3/9) to adjust the height of the microscope or to focus on the object.
- The torque of the focusing drive can be adapted to the needs of the user by reverse rotation of the left and right focusing drive.

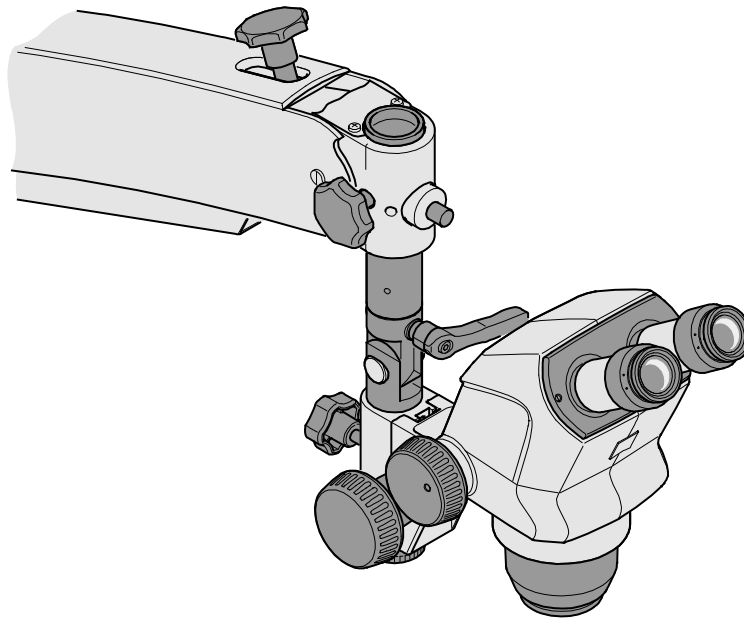


ATTENTION

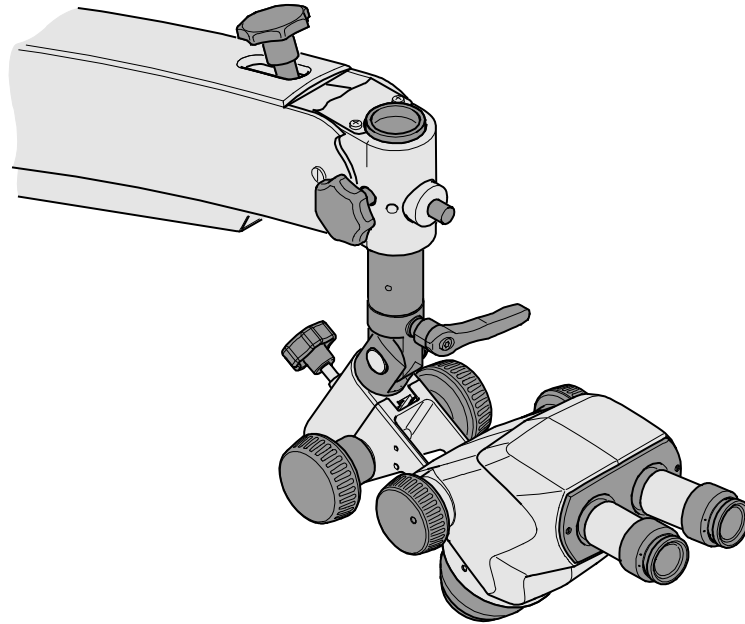
The torque of the focusing drive should not be set too freely to prevent the drive from inadvertently slipping. This could lead to damage of the microscope or the object.

4.9 Application examples

4.9.1 Vertical viewing position

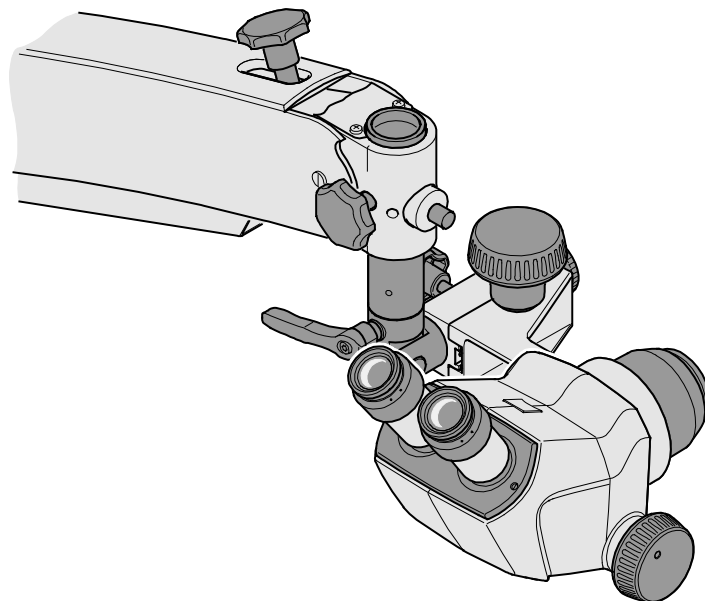


4.9.2 Oblique viewing position



Enables variation of the viewing angle and viewing height for an ergonomic work position and relaxed observation.

4.9.3 Horizontal viewing position



When observing upright samples such as sculptures or paintings in the field of restoration.

5 RELOCATION AND TRANSPORT

5.1 Short-distance relocation



To move Floor Stand S locally to another place, it is equipped with four easy-running wheels. Even if the floor stand thus can be moved easily, be aware that it has a large mass (weight > 90 kg)!



Any collisions may lead to personal injury or material damage!

- Move Floor Stand S slowly and carefully and avoid collisions.
- If the ground is uneven, take special precautions that Floor Stand S cannot roll away out of control or tip over!
- Depending on the ground, more than one person may be needed to control Floor Stand S.



Bring Floor Stand S into the transport position (see Fig. 7). Grip the stand column only at the designated point to ensure safe transport.



There is a risk of pinching fingers between the points marked with the sign "Risk of pinching". Do not touch these points while Floor Stand S or it's parts are being moved.

- Swivel the suspension arm (Fig. 7/1) into the transport position.
- Fix clamping screws and clamping lever (Fig. 3/3, 5, 10, 12, 14 and 15) to lock the movement of traverse, articulated suspension arm, tilting head and microscope.
- Release all brakes (Fig. 7/3) on the wheels.
- Grab Floor Stand S by the stand column at the designated position (Fig. 7/2) and move it carefully to the desired location. Bring it into the correct position there. Always make sure that the device is on a level surface.
- Prior to next use, press at least two of the brakes (Fig. 7/3) and check that the stand does not move inadvertently.



Transport Floor Stand S slowly and carefully. Avoid collisions.



In case of a collision with other devices, the Floor Stand S may be damaged. Parts may fall off and cause injury to persons. After collisions with other devices, the Floor Stand should be checked and repaired by ZEISS Service, if necessary.

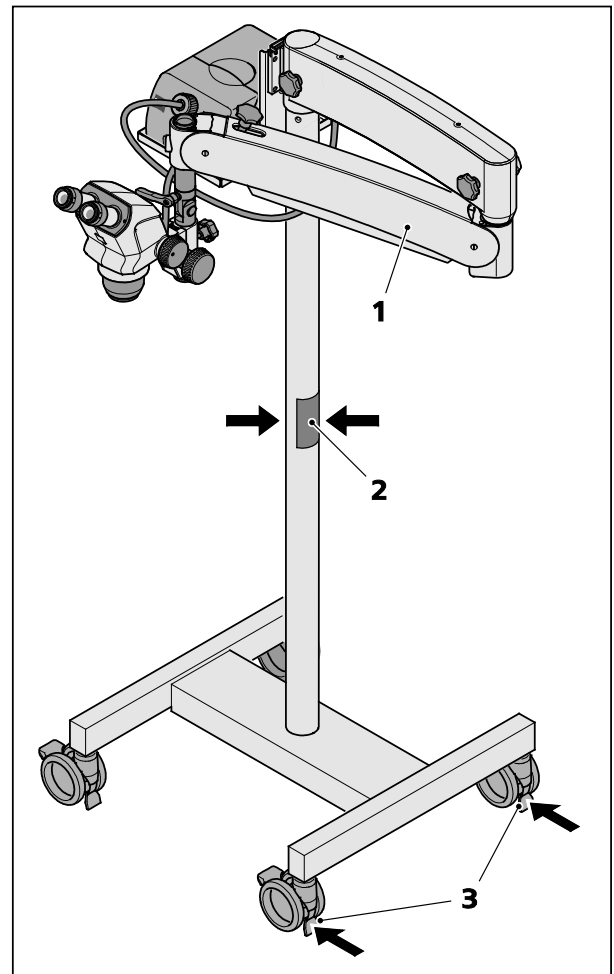


Fig. 7 Transport position of suspension arm

5.2 Transporting over long distances

- Transport the device over long distances (such as move, return for repair, etc.) only in the original packaging or use a special return packaging.
- To this end, contact your dealer or the ZEISS Service.

6 CARE, MAINTENANCE AND SERVICE

6.1 Care

Care of Floor Stand S is limited to the following procedures:



The devices are not equipped with special devices to protect against corrosive, potentially infectious, toxic, radioactive or other substances that may be hazardous to health. All legal regulations must be observed when handling such substances, particularly the relevant national accident prevention regulations.



Eliminate contaminations on Floor Stand S according to the rules for prevention of accidents.



The installed accessories must be disconnected from the mains supply before cleaning. Make sure that no cleaning fluids are allowed to penetrate to the inside of the device.



Never expose the device to adverse climatic conditions (extreme humidity and temperature) for longer periods. Maximum humidity 75 %.

- Preferably wipe all mechanical surfaces of the equipment with a damp cloth only.
- Remove persistent contaminations with a mixture of equal volumes of alcohol and distilled water to which a drop of a mild, commercial detergent (e.g. washing-up liquid) has been added.
- Never use aggressive or abrasive cleaning products (such as scouring agents, scrubbing sponges, solvents).
- Labels on the components may only be cleaned using a dry cotton cloth.

6.2 Maintenance

To ensure a safe and proper operation and a long lifetime of Floor Stand S, a regular visual and functional check of Floor Stand S is recommended.

It should include the following points:

- cleanliness and intactness of housing
- secure seat of tilting head, stemi mount and microscope
- securing screws present and tightened
- ease of motion of traverse, suspension arm and tilting head
- function of adjustment screws / levers (adjustable ease of movement and locking function)
- intactness of wheels incl. wheel stops

To ensure your microscope is optimally set and also operates correctly over an extended period of time, we recommend that you conclude a service / maintenance contract with ZEISS.

6.3 Service

All work requiring intervention in mechanical, optical or electronic components inside Floor Stand S or your stereo microscope may only be performed by ZEISS Service or other qualified personnel specifically authorized by ZEISS.

For re-ordering or in case of service, contact your nearest regional ZEISS representative or

Carl Zeiss Microscopy GmbH
Carl-Zeiss-Promenade 10
07745 Jena, Germany

microscopy@zeiss.com
www.zeiss.com/microscopy



Carl Zeiss Microscopy GmbH
Königsallee 9-21
37081 Göttingen, Germany

7 DISPOSAL OF THE PRODUCT

The product has been developed, tested and manufactured in conformance with the applicable regulations and environmental directives of the European Union.

The product and accessories satisfy the requirements of EU Directives 2011/65/EC (RoHS) and 2012/19/EC (WEEE), as well as the German Act on Electronic and Electrical Equipment (ElektroG).

For details on the disposal and recycling please refer to your sales partner or ZEISS Service.

INHALT

	Seite
1	EINLEITUNG 2
1.1	Allgemeine Hinweise..... 2
1.2	Hinweise zur Gerätesicherheit 3
1.3	Garantiehinweise 3
1.4	Warn- und Hinweisschilder am System 4
2	BESCHREIBUNG 6
2.1	Bezeichnung und Hauptmerkmale..... 6
2.2	Bestimmungsgemäßer Gebrauch..... 6
2.3	Beschreibung von Bodenstativ S 6
2.4	Systemübersicht..... 7
2.5	Bedienelemente und Anschlüsse am Bodenstativ S..... 8
2.6	Technische Daten 10
2.7	Umweltbedingungen 11
3	INBETRIEBNAHME 12
3.1	Stemi-Träger und Mikroskopkörper montieren..... 13
3.2	Kaltlichtquelle montieren 13
4	BEDIENUNG 14
4.1	Gewichtsausgleich des Federarmes einstellen..... 14
4.2	Beleuchtung einstellen 16
4.3	Bodenstativ S einstellen..... 16
4.4	Höheneinstellung am Federgelenkarm 16
4.5	Längseinstellung über die Drehgelenke 17
4.6	Neigung im Neigekopf 17
4.7	Drehung des Neigekopfs im Federgelenkarm 17
4.8	Fokussiertrieb am Stemi-Träger 18
4.9	Anwendungsbeispiele 18
4.9.1	Senkrechte Beobachtungsposition 18
4.9.2	Schräge Beobachtungsposition..... 19
4.9.3	Waagerechte Beobachtungsposition..... 19
5	UMSTELLEN UND TRANSPORT..... 20
5.1	Umstellen des Bodenstativs S 20
5.2	Transport über weite Strecken..... 21
6	PFLEGE, WARTUNG UND SERVICE 22
6.1	Pflege..... 22
6.2	Wartung..... 23
6.3	Service..... 23
7	PRODUKTENTSORGUNG 24

1 EINLEITUNG

1.1 Allgemeine Hinweise



Das Bodenstativ S ist ein Zubehör zu den Stereomikroskopen Stemi 305 bzw. Stemi 508. Außerdem kann es mit SteREO Discovery Konfigurationen verwendet werden, deren Gewicht die Traglast des Stemi-Trägers (5 kg) nicht überschreitet.

Diese Gebrauchsanweisung umfasst Installation und Bedienung des Bodenstativs S.

Zur Inbetriebnahme der Stereomikroskope sind zusätzlich die separaten Gebrauchsanweisungen für Stemi 305, Stemi 508 oder SteREO Discovery und ggf. für externe Kaltlichtquellen zu beachten.

Nachfolgend erläuterte Warn- und Hinweissymbole werden in dieser Gebrauchsanweisung verwendet:



VORSICHT

Dieses Symbol kennzeichnet eine Gefahr, die für den Benutzer entstehen kann.



VORSICHT

Quetschgefahr.



VORSICHT

Maximale Traglast nicht überschreiten.



ACHTUNG

Dieses Symbol kennzeichnet eine Gefahr, die für das Gerät oder Gerätesystem entstehen kann.



ACHTUNG

Gebrauchsanweisung lesen.



HINWEIS

Dieses Symbol kennzeichnet einen Hinweis, der besonders zu beachten ist.

1.2 Hinweise zur Gerätesicherheit



Das Bodenstativ S für Stereomikroskope inklusive Originalzubehör darf nur für die in dieser Gebrauchsanweisung beschriebenen Anwendungen verwendet werden. Für jegliche andere Anwendung, evtl. auch einzelner Baugruppen oder Einzelteile, kann vom Hersteller keine Haftung übernommen werden. Dies gilt auch für sämtliche Service- oder Reparaturarbeiten, die nicht vom autorisierten Service-Personal durchgeführt werden. Außerdem erlöschen sämtliche Garantie- / Gewährleistungsansprüche.

Die Sicherheitshinweise in den Gebrauchsanweisungen aller mit dem Bodenstativ S verwendeten Komponenten, wie Mikroskopkörper, Beleuchtungseinrichtungen etc., sind unbedingt zu beachten.



Finger können zwischen den mit dem Hinweisschild "Quetschgefahr" gekennzeichneten Stellen gequetscht werden. Diese Bereiche nicht berühren, während das Bodenstativ S oder seine Komponenten bewegt werden.



Installation sowie Änderungen und Instandsetzungen am Bodenstativ S dürfen nur durch ZEISS-Service Mitarbeiter oder andere, durch Zeiss autorisierte Personen durchgeführt werden.



Bei der Montage von Mikroskopkomponenten und Zubehör beachten, dass die maximal erlaubte Tragkraft am Federgelenkarm des Bodenstativs S nicht überschritten wird (siehe Warnschild "Maximale Traglast"). Ansonsten besteht ein Risiko von Verletzungen oder Sachschäden durch unbeabsichtigtes Absinken des Federarms.

Das Gewicht des Neigekopfes und des Stemiträgers sind hierbei auf die Traglast anzurechnen!



Zum Umstellen des Bodenstativs S beachten Sie Abschnitt *Umstellen und Transport* auf Seite 20. Nach dem Umstellen unbedingt den Stativfuß mit den Feststellern an den Rädern sichern. Ansonsten könnte das Bodenstativ S wegrrollen und Verletzungen oder Sachschäden verursachen.

1.3 Garantiehinweise

Der Gerätehersteller leistet Garantie dafür, dass das Gerät bei Übergabe frei von Material- und Fertigungsfehlern ist. Aufgetretene Mängel sind unverzüglich anzuzeigen und es ist alles zu tun, um den Schaden gering zu halten. Wird ein solcher Mangel gemeldet, so ist der Gerätehersteller verpflichtet, den Mangel nach seiner Wahl durch Reparatur oder Lieferung eines mangelfreien Gerätes zu beheben. Für Mängel infolge natürlicher Abnutzung (insbesondere bei Verschleißteilen) sowie unsachgemäßer Behandlung wird keine Gewähr geleistet.

Der Gerätehersteller haftet nicht für Schäden, die durch Fehlbedienung, Fahrlässigkeit oder sonstige Eingriffe am Gerät entstehen, insbesondere durch das Entfernen oder Auswechseln von Geräteteilen oder das Verwenden von Zubehör anderer Hersteller. Hierdurch erlöschen sämtliche Garantieansprüche.

Mit Ausnahme der in dieser Gebrauchsanweisung aufgeführten Tätigkeiten dürfen keine Wartungs- oder Reparaturarbeiten an den Mikroskopen ausgeführt werden. Reparaturen sind nur dem ZEISS-Service oder durch diesen speziell autorisierten Personen gestattet. Sollten Störungen am Gerät auftreten, wenden Sie sich bitte zuerst an den ZEISS-Service bzw. an die für Sie zuständige ZEISS-Vertretung im Ausland.

1.4 Warn- und Hinweisschilder am System

Deutsch

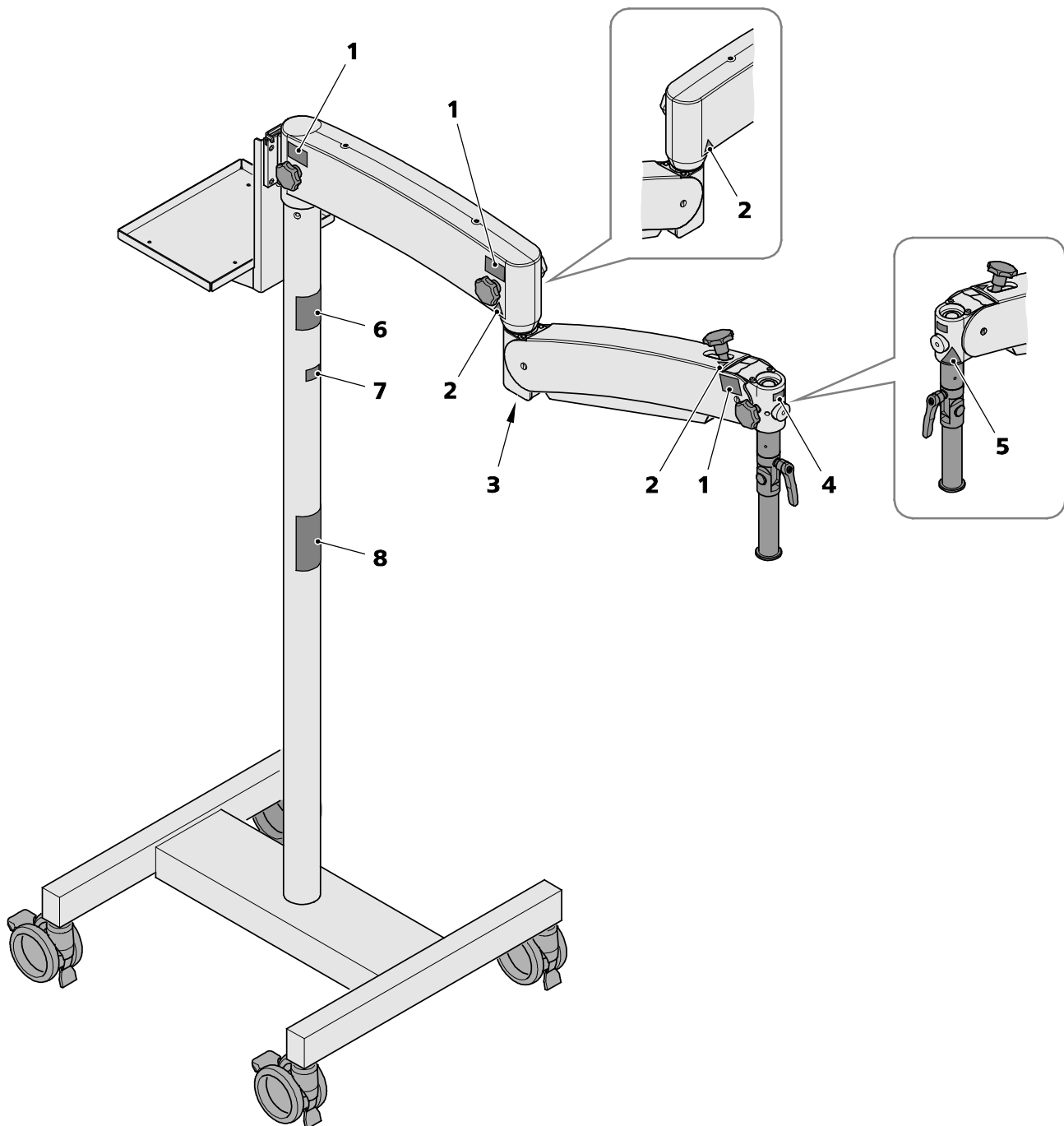
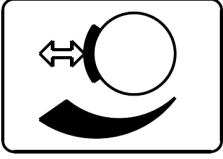

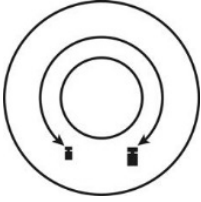

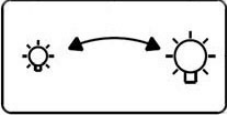
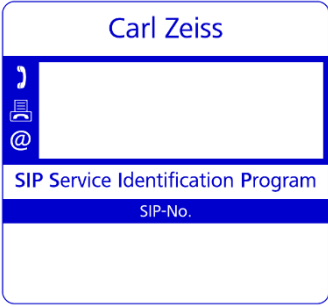

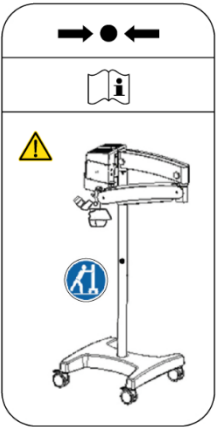


Bild 1 Warn- und Hinweisschilder

Pos.	Beschilderung	Erläuterung
1		<p>Friktionshinweis</p> <p>Erklärung der Bremswirkung, die durch Drehen des Friktionseinstellknopfes erreicht wird.</p> <p>Links drehen: Bremswirkung verringern Rechts drehen: Bremswirkung verstärken</p>
2		<p>Warnschild "Quetschgefahr"</p> <p>Finger können gequetscht werden. Diesen Bereich nicht berühren, während das Bodenstativ oder Teile davon bewegt werden.</p>
3		<p>Gewichtsausgleich Federarm</p> <p>Nachdem das Stereomikroskop mit allem Zubehör montiert wurde, kann an dieser Einstellschraube der Gewichtsausgleich des Federarmes eingestellt werden.</p> <p>Links drehen: Gewicht verringern Rechts drehen: Gewicht erhöhen</p>
4		<p>Warnschild "Maximale Traglast"</p> <p>Der Federarm darf mit maximal 7 kg belastet werden.</p>
5		<p>Helligkeitseinstellung (Nicht aktiv!)</p>
6		<p>Serviceinformationen</p>
7		<p>Herstellungsjahr</p>
8		<p>Hinweisschild "Transportposition"</p> <p>Stativ beim Transport nur an dieser Stelle anfassen und verschieben. Gebrauchsanweisung oder begleitende Dokumente befolgen.</p> <p>Stellt die Transportposition für das Gerät dar. Das Gerät vor einem Transport immer in diese Stellung bringen, um Beschädigungen des Gerätes zu vermeiden.</p>

2 BESCHREIBUNG

2.1 Bezeichnung und Hauptmerkmale

Herstellerbezeichnung: **Bodenstativ S**

Deutsch



Die Geräte dürfen nur für die in dieser Gebrauchsanweisung beschriebenen Arbeiten und Einsatzfälle verwendet werden. Siehe hierzu auch Abschnitt *Hinweise zur Gerätesicherheit* auf Seite 3.



2.2 Bestimmungsgemäßer Gebrauch

Das Bodenstativ S dient zusammen mit ZEISS-Stereomikroskopen (z. B. Stemi 508) der vergrößerten, stereoskopischen Beobachtung und Manipulation großer Proben in biologischen Laboren. Außerdem ist es zur Diagnose und für Operationen im tiermedizinischen Bereich bestimmt.

In der industriellen Fertigung oder Qualitätskontrolle wird das Bodenstativ S mit ZEISS Stereomikroskop zur Inspektion, Montage oder Reparatur industrieller Werkstücke und Produkte verwendet.

Zusätzlich ist es zur Verwendung im Bereich Restauration bestimmt.

Das Bodenstativ S ist nicht als Medizinprodukt zugelassen! Jegliche Anwendung am Patienten ist ausdrücklich ausgeschlossen!

2.3 Beschreibung von Bodenstativ S

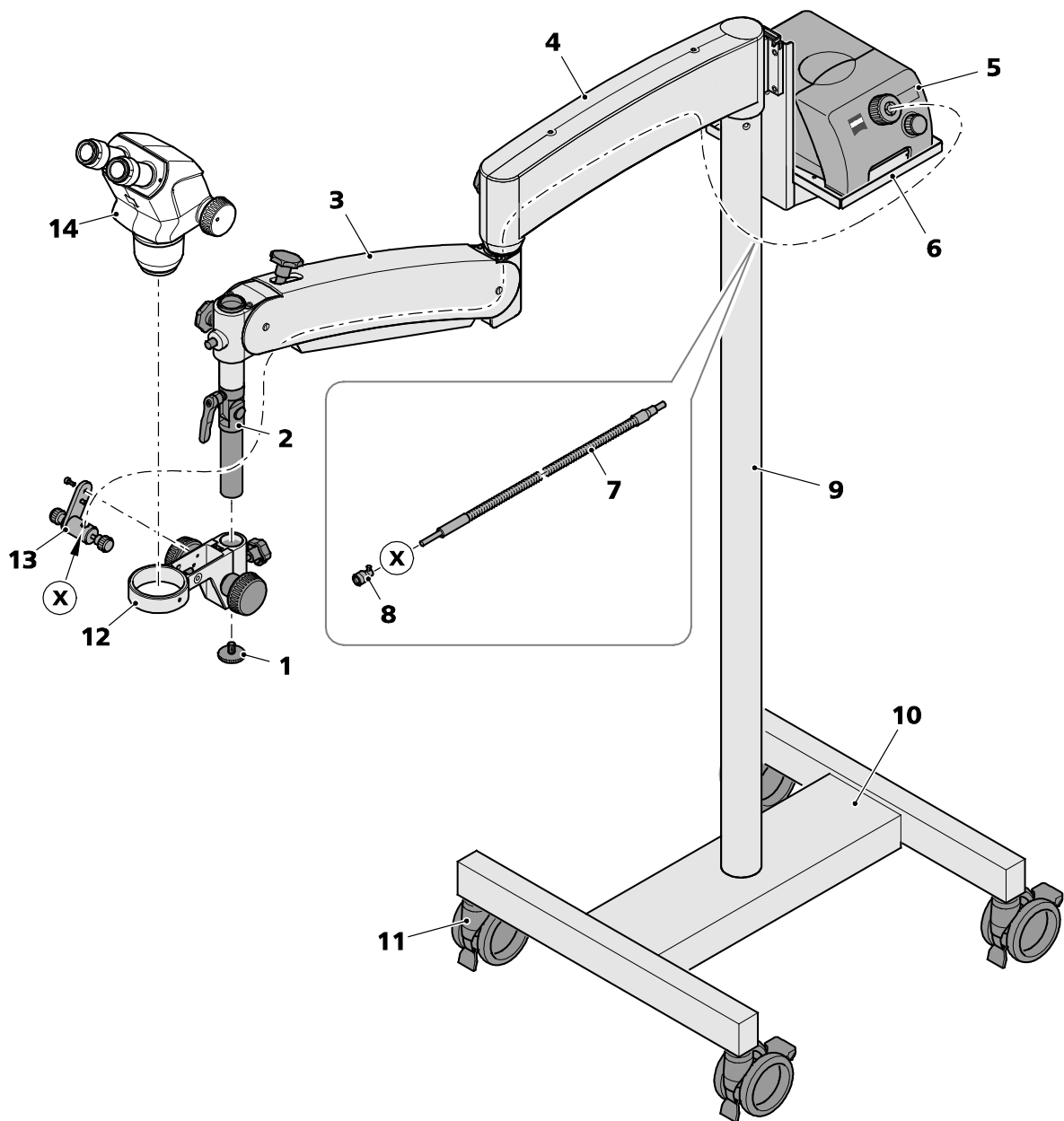
Das Bodenstativ S ist ein großes, mobiles Stativ für Stereomikroskope. Es besteht aus Stativfuß und Stativsäule, dem Auslegerarm mit Traverse, Federgelenkarm und Neigekopf und einer Konsole für Kaltlichtquellen. Um ein komplettes Mikroskopsystem zu erhalten, sind ein ZEISS Stereomikroskop, der Stemiträger mit Fokussiertrieb sowie eine faseroptische Kaltlichtquelle mit Lichtleiter separat zu ergänzen.

Mittels Traverse, Federgelenkarm und Neigekopf lässt sich das Stereomikroskop frei im Raum positionieren und so in Arbeitsposition bringen. Präzise Fokussierung erfolgt über den Fokussierknopf am Stemi-Träger.

Der Stativfuß besitzt vier lenkbare Rollen, die das Positionieren des Systems erleichtern.

Mit den Feststellern an den Rollen wird das System gegen Wegrollen und unbeabsichtigtes Verfahren gesichert.

2.4 Systemübersicht



- | | | | |
|---|---|----|----------------------------------|
| 1 | Endstück des Neigekopfes | 8 | Fokussiervorsatz |
| 2 | Neigekopf | 9 | Stativsäule |
| 3 | Federgelenkarm | 10 | Stativfuß |
| 4 | Traverse | 11 | Lenkbare Rollen mit Feststellern |
| 5 | Kaltlichtquelle, z. B. CL 6000 LED | 12 | Stemi-Träger Säule 32 mit Trieb |
| 6 | Konsole für Kaltlichtquelle | 13 | Lichtleiterhalterung |
| 7 | Flexibler Lichtleiter 1500, 5/2200 mm | 14 | Mikroskopkörper Stemi 508 |
| X | Mechanische Schnittstelle für Lichtleiter | | |

Bild 2 Systemübersicht Bodenstativ S

2.5 Bedienelemente und Anschlüsse am Bodenstativ S

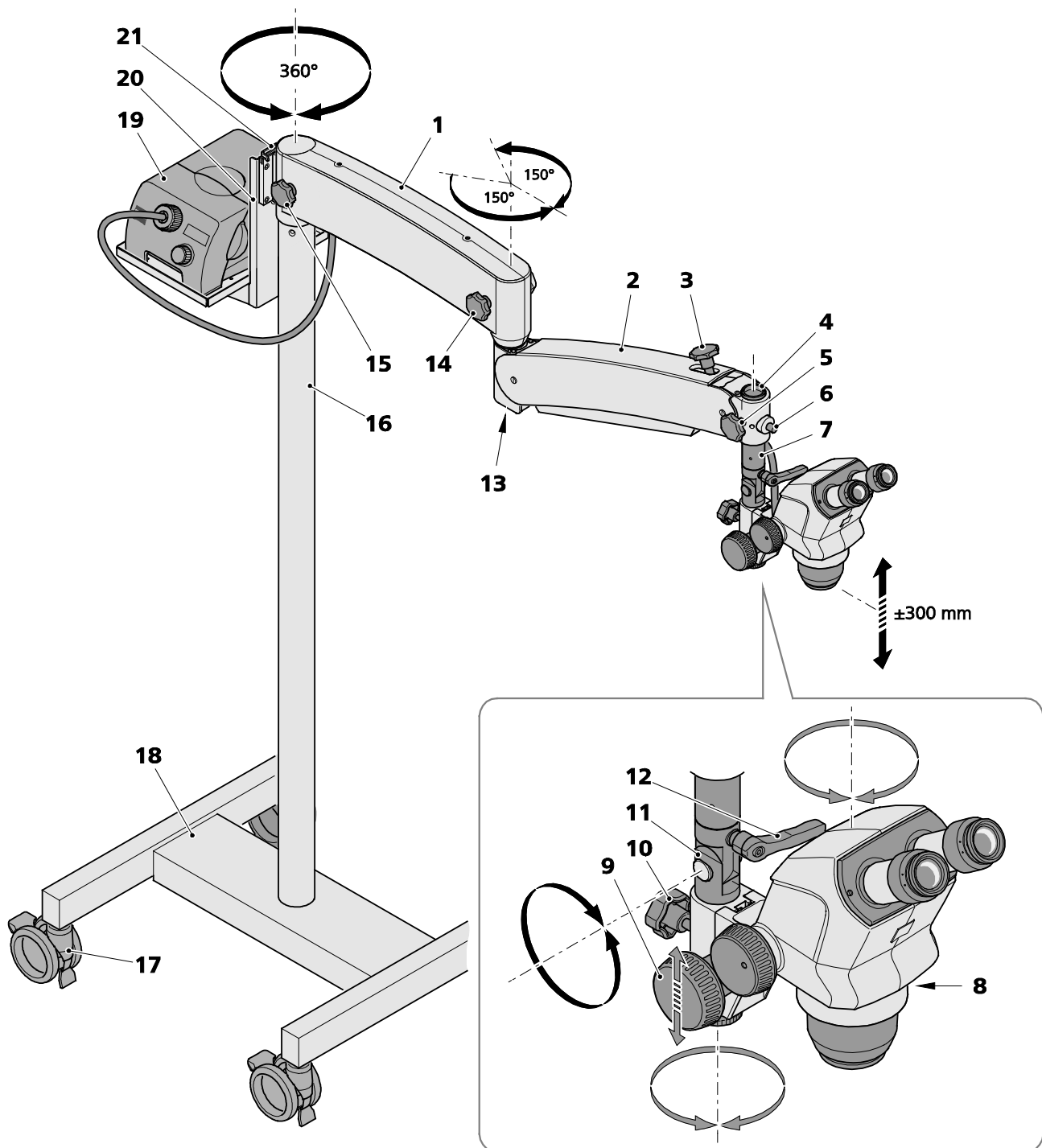


Bild 3 Bedien- und Funktionselemente am Bodenstativ S und Mikroskopsystem

Pos.	Bezeichnung	Verwendungszweck / Beschreibung
1	Traverse	Auslegerlänge 500 mm
2	Federgelenkarm	Auslegerlänge 600 mm
3	Einstellschraube für Gängigkeit	Einstellen der Gängigkeit der Hubbewegung des Federarmes (nach erfolgtem Gewichtsausgleich der Mikroskopausrüstung)
4	Abdeckung Neigekopfaufnahme	
5	Einstellschraube für Gängigkeit	Einstellen der Gängigkeit des Kupplungszapfens
6	Drehknopf	Ohne Funktion
7	Neigekopf	
8	Klemmschraube am Stemi-Träger für Mikroskopkörper	Fixierung des Mikroskopkörpers im Stemi-Träger
9	Fokussierknopf am Stemi-Träger	Fokussierung auf das Objekt, Gängigkeit einstellbar (siehe Abschnitt 4.8)
10	Sterngriffschraube am Stemi-Träger	Fixierung des Stemi-Trägers am Neigekopf
11	Gelenk der Neigekopfes	Neigung des Mikroskops
12	Klemmhebel Neigung	Einstellen und Fixieren der Stellung des Neigekopfes
13	Einstellschraube für Gewichtsausgleich	Einstellen des Gleichgewichts
14	Einstellschraube für Gängigkeit	Einstellen der Rotationsgängigkeit des Federgelenkarmes
15	Einstellschraube für Gängigkeit	Einstellen der Rotationsgängigkeit der Traverse
16	Stativsäule	
17	Lenkbare Rollen mit Feststellern	Ermöglicht es, das Stativ festzustellen (einmal drücken, um das Stativ festzustellen; mit der Fußspitze nach oben drücken, um den Feststeller zu lösen)
18	Stativfuß	
19	Kaltlichtquelle	Beleuchtungseinheit für Mikroskop, Bedienelemente und Anschlüsse siehe separate Gebrauchsanweisung
20	Konsole für Lichtquellen	Aufnahme der Kaltlichtquelle
21	Adapterplatte	Aufnahme der Konsole für Kaltlichtquellen

2.6 Technische Daten

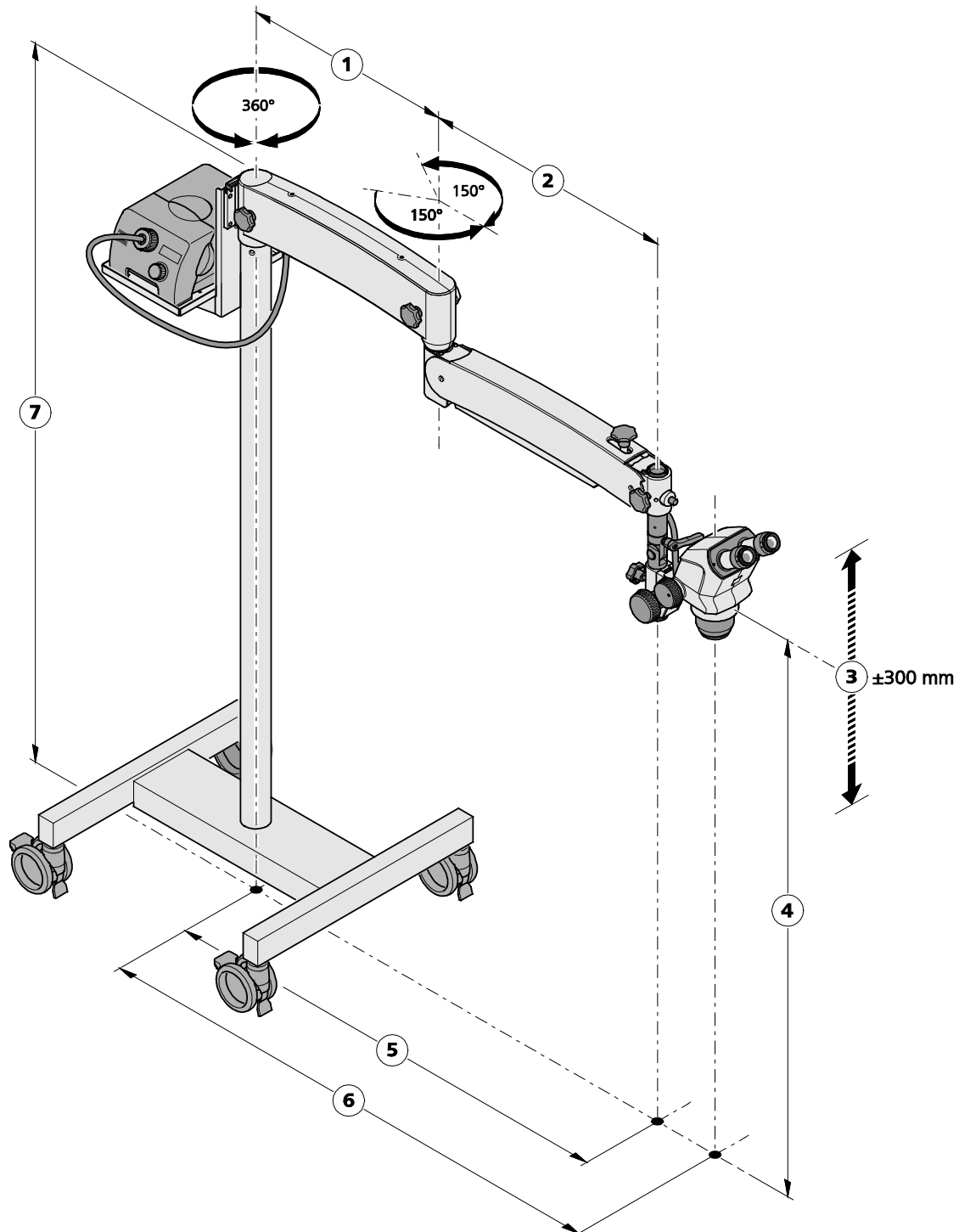


Bild 4 Abmessungen und Drehachsen Bodenstativ S

Ortszahl	Abmessung / Arbeitsbereich	Bemerkung
1	500 mm	Auslegerlänge Traverse
2	600 mm	Auslegerlänge Federgelenkarm
3	ca. ± 300 mm	Höhenverstellung des Federgelenkarmes
4	ca. 1000 mm bis 1650 mm	Höhe Stemi-Träger (Mikroskopauflage) über Boden
5	bis 1100 mm	Abstand Stativsäule bis Achse Neigekopf
6	bis 1255 mm	Abstand Stativsäule bis optische Achse des Mikroskopkörpers
7	ca. 1730 mm	Höhe Stativsäule (über Boden)

Weitere technische Daten:

max. Höhe des Bodenstativs S (Federgelenkarm in oberster Position) ca. 1880 mm
 Höhe Okulareinblick mit Stemi 508 ca. 1170 mm bis 1810 mm
 (ermöglicht das Arbeiten im Sitzen und Stehen)
 Drehwinkel Federgelenkarm um Tragarm $\pm 150^\circ$
 Drehwinkel Traverse um Stativsäule 360°
 Abmessungen des Fußes (Länge x Breite) 625 mm x 625 mm
 Gewicht (einschließlich Mikroskop) ca. 90 kg

2.7 Umweltbedingungen**Transport und Lagerung**

Temperatur..... -40°C bis $+70^\circ\text{C}$
 Rel. Luftfeuchtigkeit (ohne Kondensation).....10 % bis 90 %
 Luftdruck.....500 hPa bis 1060 hPa

Betrieb

Temperatur..... $+10^\circ\text{C}$ bis $+40^\circ\text{C}$
 Rel. Luftfeuchtigkeit.....30 % bis 75 %

3 INBETRIEBNAHME

Das Bodenstativ S (falls bestellt inklusive eingebautem Lichtleiter) wird stets vom ZEISS Service oder von einer von ZEISS benannten Fachkraft installiert.

Falls vorhanden, werden Mikroskop, Stemi-Träger Säule 32 und Kaltlichtquelle ebenfalls montiert und angeschlossen. Diese dürfen aber auch nachträglich vom Kunden montiert werden (siehe unten).

Folgende Voraussetzungen sind für den weiteren Betrieb notwendig:

- Die Verbindungsteile haben einwandfreien Sitz.
- Die Schraubverbindungen sind fest angezogen.



Bei der Montage von Mikroskopkomponenten und Zubehör beachten, dass die maximal erlaubte Tragkraft am Federgelenkarm des Bodenstativs S nicht überschritten wird (siehe Warnschild "Maximale Traglast"). Ansonsten besteht ein Risiko von Verletzungen oder Sachschäden durch unbeabsichtigtes Absinken des Federarms.

Das Gewicht des Neigekopfes und des Stemiträgers sind hierbei auf die Traglast anzurechnen!




Finger können zwischen den mit dem Hinweisschild "Quetschgefahr" gekennzeichneten Stellen gequetscht werden. Diese Bereiche nicht berühren, während das Bodenstativ S oder seine Komponenten bewegt werden.




Zum Umstellen des Bodenstativs S beachten Sie Abschnitt *Umstellen und Transport* auf Seite 20. Nach dem Umstellen unbedingt den Stativfuß mit den Feststellern an den Rädern sichern. Ansonsten könnte das Bodenstativ S wegrollen und Verletzungen oder Sachschäden verursachen.

3.1 Stemi-Träger und Mikroskopkörper montieren

- Klemmhebel (Bild 5/1) am Neigekopf (Bild 5/2) lösen.
- Neigekopf (Bild 5/2) senkrecht ausrichten oder ggf. in gewünschte Winkelposition stellen und Klemmhebel wieder festziehen.

 Die Winkelstellung des Klemmhebels (Bild 5/1) kann auf eine für den Klemmvorgang günstige Lage eingestellt werden. Dazu den Hebel aus der Rastung ziehen und in die gewünschte Winkelstellung drehen. Nach Loslassen des Hebels rastet dieser durch einen Federmechanismus automatisch wieder ein.

- Endstück (Bild 5/5) vom Neigekopf (Bild 5/2) abschrauben.
- Stemi-Träger (Bild 5/4) von unten auf den Neigekopf aufschieben und in gewünschter Position mit Sterngriffschraube (Bild 5/3) fixieren.
- Endstück wieder in Neigekopf einschrauben.
- Lichtleiterhalter (Bild 5/7) mit Schraube (SW3) (Bild 5/8) am Stemi-Träger anschrauben.
- Lichtleiterende (Bild 5/10) durch die Bohrung am Lichtleiterhalter (Bild 5/7) schieben und mittels Kopfschraube auf der Metallhülse (Durchmesser 10 mm) klemmen. Bitte beachten: nicht auf dem flexiblen Schlauch klemmen.
- Fokussieroptik (Bild 5/11) bis zum Anschlag auf den Lichtleiter schieben und festschrauben.
- Mikroskopkörper, z. B.: Stemi 508, (Bild 5/9) in die Aufnahmebohrung des Stemi-Trägers einsetzen und mit Klemmschraube (Bild 5/6) fixieren.
- Falls vorhanden, Front Optik in den Mikroskopkörper einschrauben.

 Falls der Fokussiertrieb des Stemi-Trägers eigenständig absinkt, muss die Gängigkeit des Triebes an das Gewicht des Mikroskops angepasst werden. Hierzu den linken und rechten Fokussierknopf gegenläufig verdrehen.

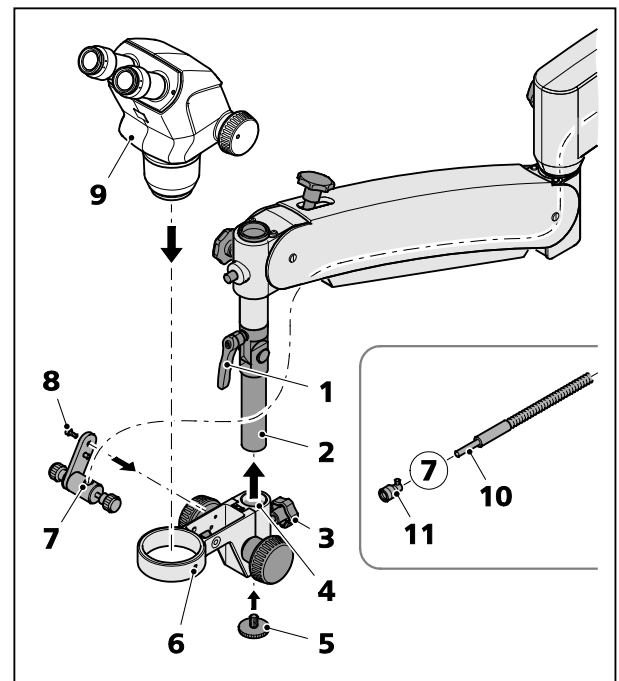


Bild 5 Stemi-Träger und Mikroskopkörper montieren

3.2 Kaltlichtquelle montieren

- Kaltlichtquelle auf die Lichtquellenkonsole stellen wie in Bild 6 dargestellt.
- Zur Montage von Lichtleiter und Netzkabel separate Gebrauchsanweisung der Lichtquelle beachten.

4 BEDIENUNG

4.1 Gewichtsausgleich des Federarmes einstellen

- Das Bodenstativ S vor jeder Anwendung auf Beschädigungen prüfen. Ist es beschädigt, muss es erst instandgesetzt werden.
- Vor jeder Anwendung einen Gewichtsausgleich (Balancierung) des Federgelenkarmes durchführen, bis das Stereomikroskop in allen Positionen des Federgelenkarms seine eingestellte Höhe beibehält.



Das Mikroskop darf sich nicht eigenständig heben oder senken.



Finger können zwischen den mit dem Hinweisschild "Quetschgefahr" gekennzeichneten Stellen gequetscht werden. Diese Bereiche nicht berühren, während das Bodenstativ S oder seine Komponenten bewegt werden.

Den Gewichtsausgleich erst durchführen, nachdem der gesamte Mikroskopaufbau installiert wurde. Der Federgelenkarm darf mit max. 7 kg belastet werden. Das Gewicht des Neigekopfes und des Stemiträgers sind hierbei auf die Traglast anzurechnen!

- Die Bremsschraube (Bild 6/1) des Federgelenkarmes lösen.
- Einen 8 mm Sechskantschlüssel in die Öffnung der Gelenkabdeckung (Bild 6/2) stecken.
- Mit dem Sechskantschlüssel die Einstellschraube für den Gewichtsausgleich (Bild 6/3) solange drehen, bis das Gleichgewicht erreicht ist.
- Den Gewichtsausgleich in verschiedenen Höhenpositionen des Federgelenkarms überprüfen.
- Die Bremsschraube schrittweise fester stellen, bis die gewünschte Gängigkeit der Hubbewegung des Federarmes erreicht ist.

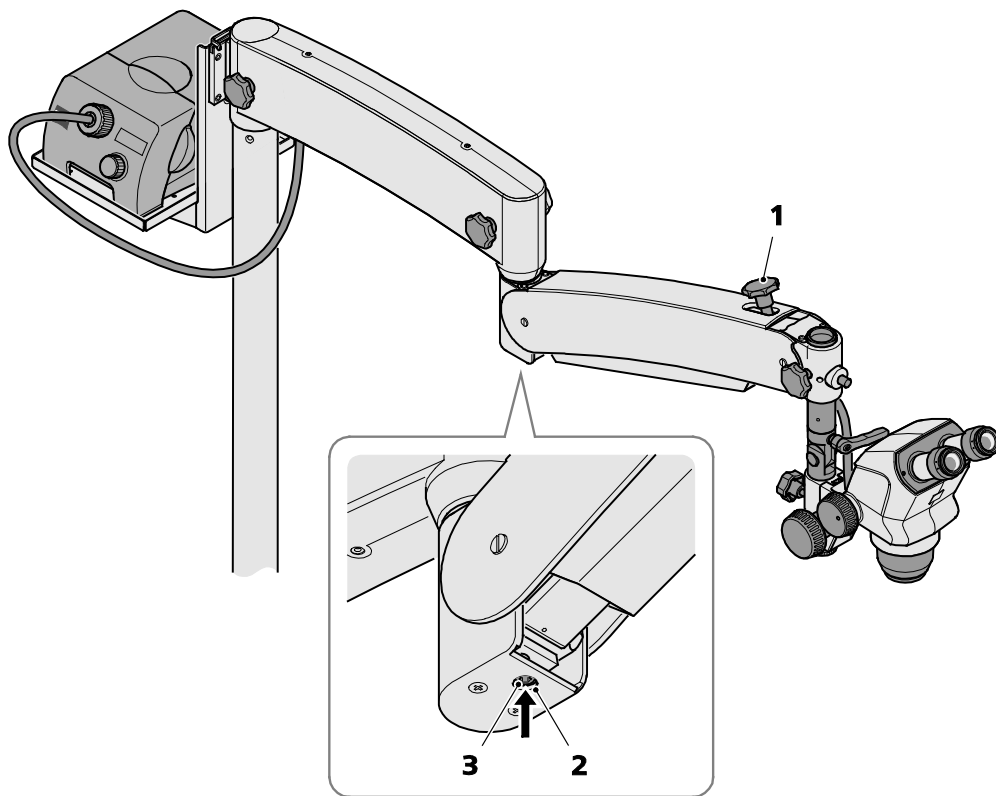


Bild 6 Gewichtsausgleich am Federgelenkarm einstellen



Zur Montage von Lichtleiter und Netzkabel sowie Inbetriebnahme und Bedienung der Kaltlichtquelle separate Gebrauchsanweisung der Lichtquelle beachten.

4.2 Beleuchtung einstellen

Zur Inbetriebnahme und Bedienung der Kaltlichtquelle separate Gebrauchsanweisung der Lichtquelle beachten.

- Stereomikroskop und Beleuchtung ausschalten, wenn sie nicht benutzt werden.

Zum Ausleuchten eines Objekts wie folgt vorgehen:

- Mittlere Helligkeit einstellen und das Stereomikroskop unter Beachtung der Abschnitte 4.3 bis 4.8 auf die zu betrachtende Objektstelle ausrichten.
- Anschließend den Lichtleiter auf die Objektstelle ausrichten
- Objekt in minimaler Zoomstellung durch die Okulare betrachten und mit dem Fokussierknopf scharfstellen.
- In die gewünschte Vergrößerung zoomen und ggf. nachfokussieren.
- Helligkeit an der Kaltlichtquelle einstellen, bis das Objekt (durch die Okulare betrachtet) die gewünschte Helligkeit erreicht.

4.3 Bodenstativ S einstellen



Teile des Stativs befinden sich in Kopfhöhe, es besteht Verletzungsgefahr. Das Gerät nach dem Gebrauch sofort in die Transportposition (siehe Bild 7) bringen und auf Kopffreiheit achten.

Das Bodenstativ S ermöglicht die variable Ausrichtung des Stereomikroskops auf großflächige oder voluminöse Untersuchungsobjekte.

Folgende Bewegungsmöglichkeiten sind vorhanden:

- Höheneinstellung am Federgelenkarm, siehe Abschnitt 4.4
- Längseinstellung über die Drehgelenke, siehe Abschnitt 4.5
- Neigung am Neigekopf, siehe Abschnitt 4.6
- Drehung des Stemi-Trägers, siehe Abschnitt 4.7

4.4 Höheneinstellung am Federgelenkarm

- Federgelenkarm (Bild 3/2) nach oben bzw. unten schwenken, um die Höhenposition des Mikroskopaufbaus zu variieren.

Der Verstellbereich beträgt ± 300 mm. Durch Veränderung der Höhe verändert sich auch die Längseinstellung.

4.5 Längseinstellung über die Drehgelenke



Das Durchdrehen des Mikroskopaufbaus um die Stativsäule ist aufgrund des installierten Lichtleiters nicht möglich.

Beim Drehen darauf achten, dass der Lichtleiter nicht beschädigt wird.

- Mikroskopaufbau um die Drehgelenke Stativsäule/Traverse (Bild 3/16 / Bild 3/1) bzw. Traverse/Federgelenkarm (Bild 3/1 / Bild 3/2) schwenken, um die Längs- und die radiale Einstellung zu variieren.

Das Drehgelenk Stativsäule/Traverse ist um 360° (kein Durchdrehen möglich, s.o.) und das Drehgelenk Traverse/Federgelenkarm um $\pm 150^\circ$ schwenkbar.

4.6 Neigung im Neigekopf



ACHTUNG

Bei der Neigung vorher überprüfen, wie weit geneigt werden kann, ohne dass das Mikroskop mit dem Aufbau oder dem Untersuchungsobjekt kollidiert.

- Klemmhebel (Bild 3/12) am Neigekopf (Bild 3/7) lösen.
- Neigekopf mit Stemi-Träger und Mikroskop in gewünschte Position neigen.
- Klemmhebel wieder festziehen, dazu ggf. die Winkelstellung des Klemmhebels auf eine günstige Lage einstellen (siehe Abschnitt 3.1).

4.7 Drehung des Neigekopfs im Federgelenkarm



ACHTUNG

Vor dem Drehen des Neigekopfs sicherstellen, dass die Abdeckung der Neigekopfaufnahme (Bild 3/4) auf den Neigekopf aufgeschraubt ist und überprüfen, wie weit gedreht werden kann, ohne dass das Mikroskop mit dem Aufbau kollidiert.

- Sterngriffschraube (Bild 3/5) am Federgelenkarm lösen.
- Neigekopf mit Stemiträger und Mikroskop in gewünschte Position drehen.
- Sterngriffschraube wieder festziehen.



Bei Bedarf können auch der "Stemi-Träger am Neigekopf" und das "Mikroskop im Stemi-Träger" gedreht werden, z. B. Einstellung der waagerechten Beobachtungsposition, siehe Abschnitt 4.9.3. Vor dem Drehen von Stemi-Träger oder Mikroskopkörper die entsprechenden Feststellschrauben (Bild 3/8) bzw. (Bild 3/10) lösen, anschließend wieder festziehen.

4.8 Fokussiertrieb am Stemi-Träger

- Fokussierknopf am Stemi-Träger (Bild 3/9) drehen, um das Mikroskop in der Höhe zu verstellen bzw. auf das Objekt zu fokussieren.
- Durch gegenläufiges Verdrehen des linken und rechten Fokussierknopfes kann die Gängigkeit des Fokussiertriebs an die Bedürfnisse des Nutzers angepasst werden.

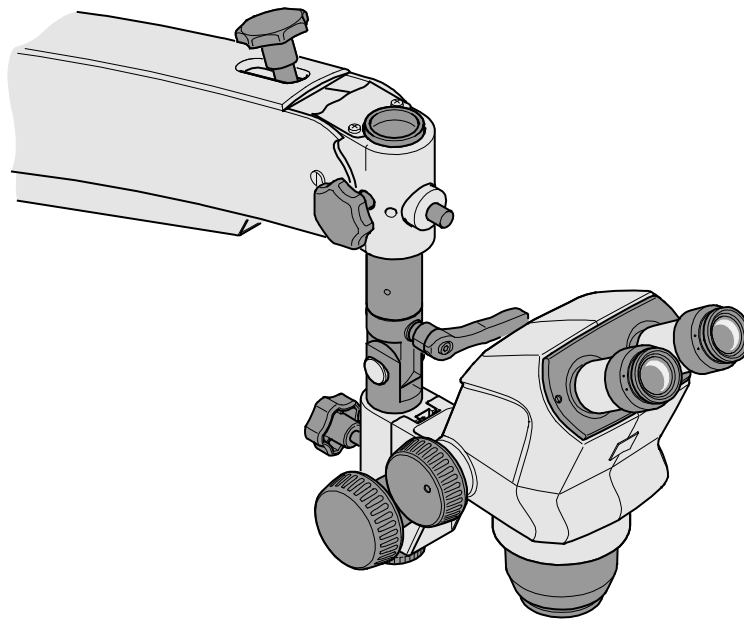


ACHTUNG

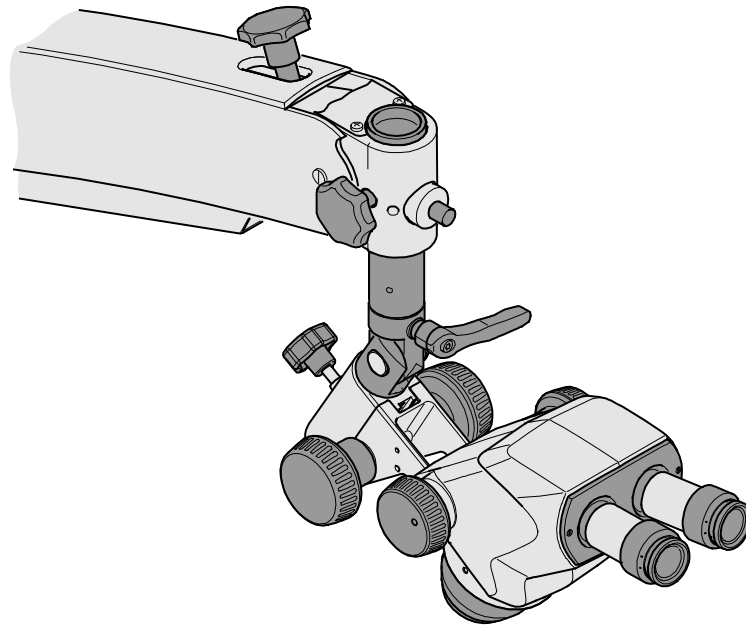
Die Gängigkeit des Fokussiertriebs darf nicht so leicht eingestellt werden, dass sich der Trieb eigenständig nach unten bewegt. Dies könnte zu Beschädigungen des Mikroskops oder des Objekts führen.

4.9 Anwendungsbeispiele

4.9.1 Senkrechte Beobachtungsposition

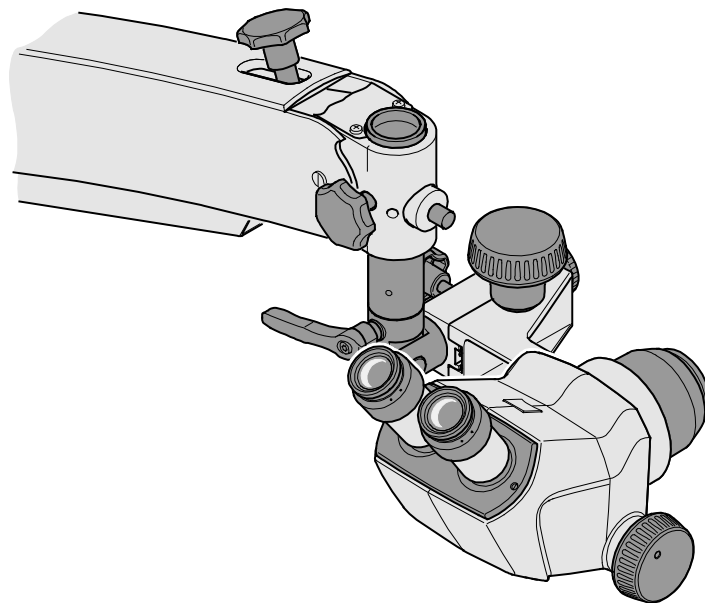


4.9.2 Schräge Beobachtungsposition



Ermöglicht die Variation von Einblickwinkel und Einblickhöhe für eine ergonomische Beobachtungsposition und einen entspannten Einblick.

4.9.3 Waagerechte Beobachtungsposition



Zur Beobachtung aufrecht stehender Proben, z. B. Skulpturen oder Gemälde im Bereich Restauration.

5 UMSTELLEN UND TRANSPORT

5.1 Umstellen des Bodenstativs S



Um das Bodenstativ S an einen anderen Arbeitsplatz umzustellen, wurde es mit vier leichtlaufenden Rädern ausgestattet. Auch wenn das Bodenstativ S daher leicht bewegt werden kann, verfügt es über eine große Masse (Gewicht > 90 kg)! Jegliche Kollision kann daher zu Verletzungen oder Sachbeschädigung führen!



- Verfahren Sie das Bodenstativ S langsam und vorsichtig und vermeiden Sie Kollisionen!
- Wenn der Untergrund uneben ist, treffen Sie besondere Vorkehrungen, damit das Bodenstativ nicht unkontrolliert wegrollen oder umkippen kann!
- Abhängig vom Untergrund wird ggf mehr als eine Person benötigt, um das Bodenstativ zu kontrollieren.



Das Bodenstativ S in Transportposition bringen (siehe Bild 7). Die Stativsäule zum sicheren Führen des Gerätes nur an der dafür gekennzeichneten Stelle anfassen.



Finger können zwischen den mit dem Hinweisschild "Quetschgefahr" gekennzeichneten Stellen gequetscht werden. Diese Bereiche nicht berühren, während das Bodenstativ S bewegt wird.

- Den Federarm (Bild 7/1) in die Transportposition schwenken.
- Klemmschrauben und Klemmhebel (Bild 3/3, 5, 10, 12, 14 und 15) feststellen, um die Bewegung von Traverse, Federgelenkarm, Neigekopf und Mikroskop zu arretieren.
- Alle Feststeller (Bild 7/3) der Rollen lösen.
- Das Bodenstativ S an der Stativsäule an der markierten Position (Bild 7/2) anfassen und es vorsichtig zum gewünschten Standort schieben und dort in Position bringen. Dabei stets darauf achten, dass das Gerät auf ebenem Untergrund steht.
- Vor erneuter Inbetriebnahme mindestens zwei der Feststeller (Bild 7/3) drücken und prüfen, ob sich das Stativ nicht mehr unbeabsichtigt in Bewegung setzen kann.



Das Bodenstativ S langsam und vorsichtig transportieren. Kollisionen vermeiden.



Bei einer Kollision mit anderen Geräten kann das Bodenstativ S beschädigt werden, Teile können herabfallen und dabei Personen verletzen. Nach Kollisionen mit anderen Geräten muss es vom ZEISS-Service überprüft und ggf. instandgesetzt werden.

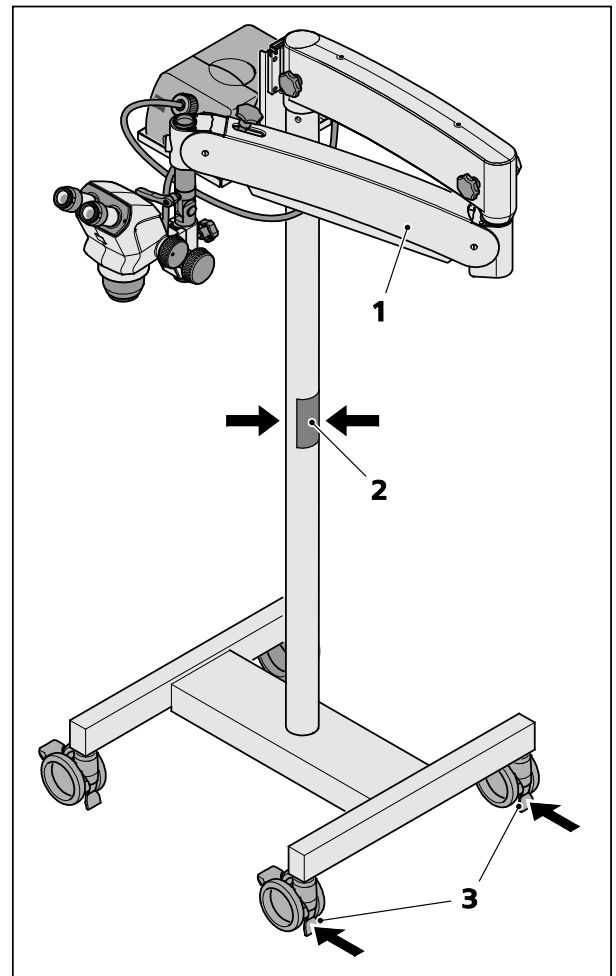


Bild 7 Transportposition des Federarmes

5.2 Transport über weite Strecken

- Das Gerät über weite Strecken (z. B. Umzug, Rücksendung zur Reparatur, usw.) nur in der Originalverpackung oder einer speziellen Rücksendeverpackung transportieren.
- Wenden Sie sich hierzu an Ihren Händler oder an den ZEISS-Service.

6 PFLEGE, WARTUNG UND SERVICE

6.1 Pflege

Die Pflege des Bodenstativs S beschränkt sich auf die nachstehend aufgeführten Arbeiten:

Deutsch



Die Geräte sind mit keinen besonderen Vorrichtungen zum Schutz vor ätzenden, potentiell infektiösen, toxischen, radioaktiven oder sonstigen die Gesundheit beeinträchtigenden Proben ausgestattet. Alle gesetzlichen Erfordernisse, insbesondere nationale Vorschriften zur Unfallverhütung, sind im Umgang mit solchen Proben zu beachten.



Kontaminationen am Gerät entsprechend den Vorschriften zur Unfallverhütung beseitigen.



Vor der Reinigung ist das installierte Zubehör vom Netz zu trennen. Darauf achten, dass keine Reinigungsflüssigkeiten in das Geräteinnere gelangen.



Geräte nie längere Zeit unzulässigen Klimabedingungen (erhöhte Luftfeuchtigkeit und Temperatur) aussetzen. Maximale Feuchte 75 %.

- Vorzugsweise alle mechanischen Oberflächen der Geräteausrüstung lediglich mit einem feuchten Tuch abwischen.
- Eventuell hartnäckige Verschmutzungen mit einer Mischung aus gleichen Teilen Spiritus und destilliertem Wasser entfernen, dem ein Spritzer eines milden, handelsüblichen Spülmittels zugesetzt wurde.
- Keinesfalls aggressive oder schleifende Reinigungsmittel verwenden.
- Alle Schilder an den Komponenten dürfen nur mit einem trockenen Baumwolltuch gereinigt werden.

6.2 **Wartung**

Um einen sicheren und ordnungsgemäßen Betrieb und eine lange Lebensdauer des Bodenstativs S zu gewährleisten, wird eine regelmäßige, vorbeugende Sicht- und Funktionsprüfung empfohlen.

Diese sollte folgende Punkte umfassen:

- Sauberkeit und Unversehrtheit des Gehäuses
- Sicherer Sitz von Neigekopf, Stemi-Träger und Mikroskop
- Alle Sicherungsschrauben sind vorhanden und festgezogen
- leichtgängige Bewegung von Traverse, Gelenkarm und Neigekopf
- Funktion der Einstellschrauben für Rotationsgängigkeit und Hub (Einstellung der Gängigkeit sowie Feststellfunktion)
- Unversehrtheit der vier Laufrollen und der Feststeller

Damit ihr Mikroskop auch über einen längeren Zeitraum optimal eingestellt bleibt und fehlerfrei funktioniert, empfehlen wir Ihnen, einen Service-/ Wartungsvertrag mit ZEISS abzuschließen

6.3 **Service**

Sämtliche Eingriffe optischen, mechanischen oder elektronischen Teilen im Innern des Bodenstativs S oder Ihres Stereomikroskops dürfen nur vom ZEISS Service oder von qualifiziertem, speziell von ZEISS **autorisiertem** Personal durchgeführt werden..

Im Servicefall wenden Sie sich bitte an die für Sie zuständige regionale Vertretung oder an die

Carl Zeiss Microscopy GmbH
Carl-Zeiss-Promenade 10
07745 Jena, Germany

microscopy@zeiss.com
www.zeiss.com/microscopy



Carl Zeiss Microscopy GmbH
Königsallee 9-21
37081 Göttingen, Germany

7 PRODUKTENTSORGUNG

Das Produkt wurde in Übereinstimmung mit den geltenden Vorschriften und Richtlinien des Umweltschutzes der Europäischen Union entwickelt, geprüft und gefertigt.

Das Produkt und das entsprechende Zubehör erfüllen die Anforderungen der EU-Richtlinien 2011/65/EU (RoHS) und 2012/19/EG (WEEE) sowie das deutsche Gesetz über Elektro- und Elektronikgeräte (ElektroG).

Für nähere Informationen über die Entsorgung und das Recycling wenden Sie sich bitte an Ihre zuständige Verkaufsorganisation oder den Kundendienst von ZEISS.